

Roller bearing units

A supplement to SKF bearings and mounted products (pub #100-700)



This catalog is intended to be used as a product reference guide only and as such contains only very basic information. This catalog is not intended to be used as a design manual. The data in this catalog is based on current information at the time of press. SKF reserves the right to make changes necessitated by technological developments. Consult SKF USA Inc. prior to design change or order placement.

Additional information on mounting, dismounting, lubrication, and maintenance of SKF products can be found in the SKF Bearing Installation and Maintenance Guide (publication #140-710).

Any reference in this catalog to SKF Applications Engineering is making reference to the SKF USA Inc. Applications Engineering Department that can be reach through the SKF Technical Hotline at 1-888-753-2000.

How to reach SKF USA Inc.

Customer service: 1-888-753-3477

Technical hotline: 1-888-753-2000

Email: skfusainfo@skf.com

Website: www.skfusa.com

Online store: www.ptplace.com

Please note: The page numbers in this supplement reflect the catalog 100-700.



Roller bearing units nomenclature guide*

(Inch series)

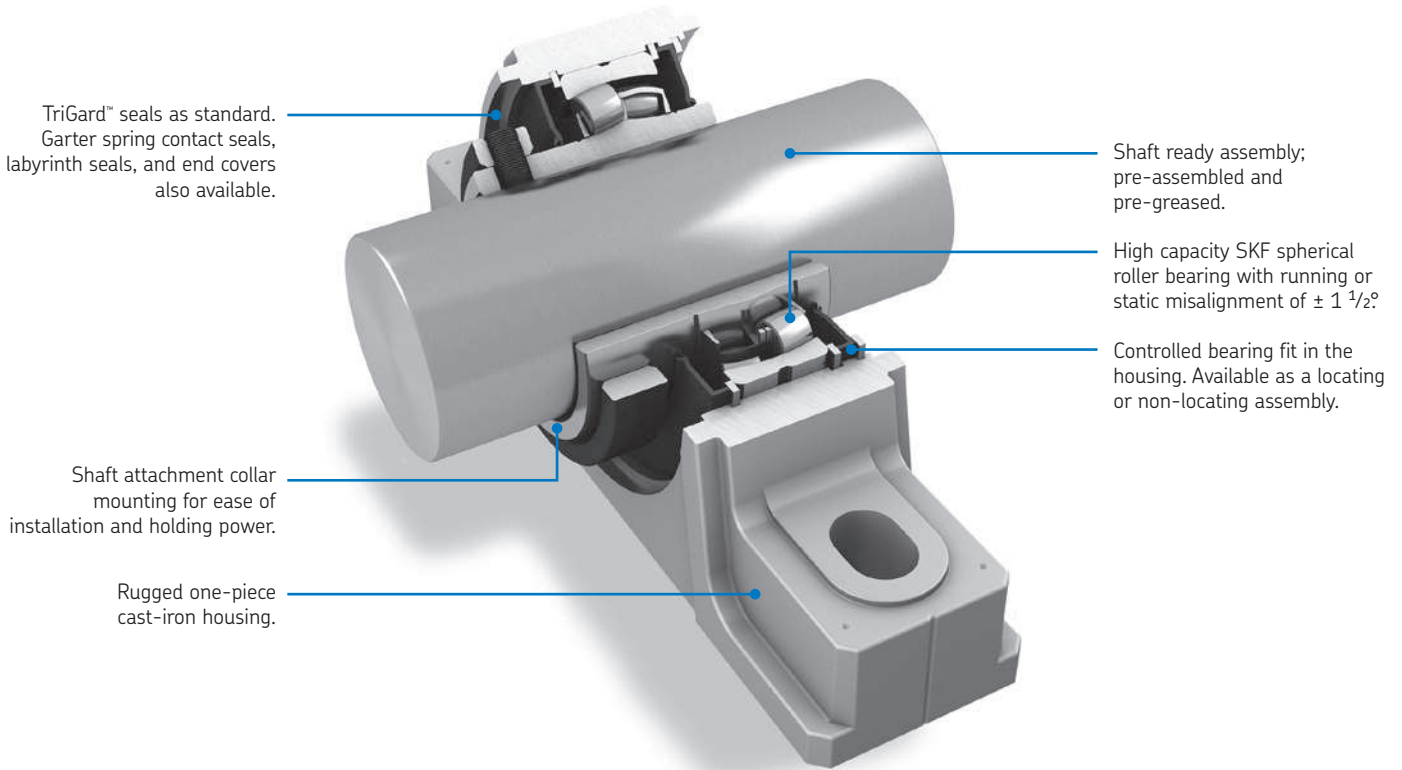
P2B 207 – SRB – SRE – W64

↑ ↑ ↑ ↑ ↑ ↑ ↑
 1 2 3 4 5 6 7

1. Housing style		Reference	2. Shaft size	4. Locking mechanism (SRE)
P2B	Pillow block, two-bolt	SYR	Inch	S Set screw
P2BA	Pillow block, two-bolt, SAF dimensions	SYAF	First digit: number of inches	C SKF ConCentra™
P2BE	Pillow block, two-bolt, type E dimensions	SYE	Second and third digits: number of sixteenths of an inch	5. Seal options (SRE)
P4BA	Pillow block, four-bolt, SAF dimensions	(F)SYAF	Example: 207 indicates 2 7/16 (unit)	R Rubber (TriGard)
P4BE	Pillow block, four-bolt, type E dimensions	FSYE		L Labyrinth
F3BR	Flange, three-bolt, round	FYR	3. Bearing type	G Garter spring
F4BE	Flange, four-bolt, type E dimensions	FYE	SRB Spherical roller bearing	T Heavy duty
F4BED	Flange, four-bolt, type E dimensions, ductile	FYED		6. Bearing location (SRE)
F4BR	Flange, four-bolt, round,	FYR		H Held (locating)
F4BRP	Flange, four-bolt, round, piloted	FYRP		E Expansion (non-locating)
F6BRP	Flange, six-bolt, round, piloted	FYRP		7. Additional options
				Y End cover included
				W64 Solid Oil
				H7 H7 housing bore tolerance
				V_____ V-number special execution

* SKF changed the nomenclature and following designations. The new and previous designations are shown.

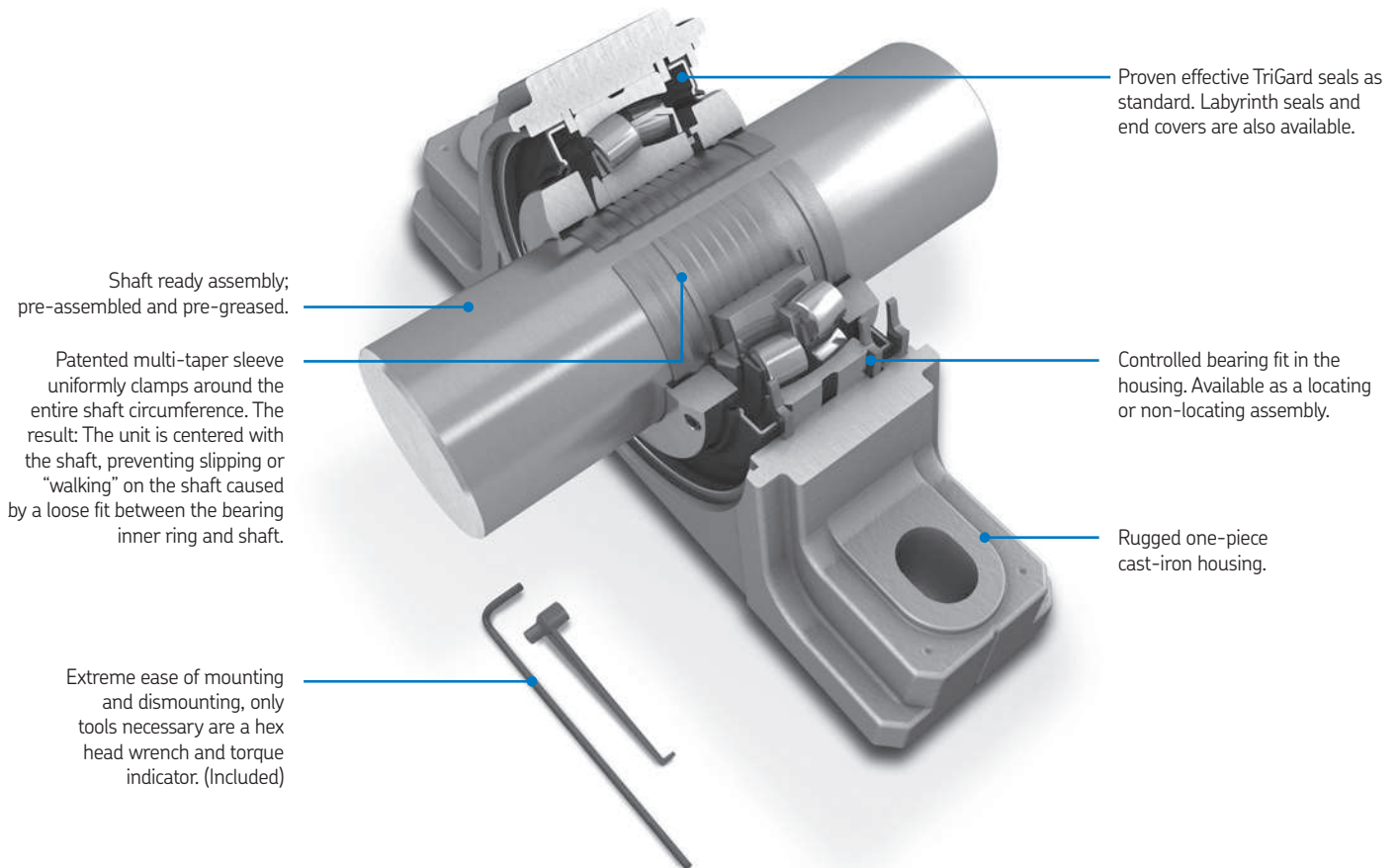
Introduction



Set screw mounted roller bearing unit

SKF roller bearing pillow block and flange units are offered with set screw mounting. SKF roller bearing pillow blocks and take-up units are offered with ConCentra mounting. Both are based on the SKF 22200 series spherical roller bearing. Fully assembled and pre-greased, the units need no internal bearing adjustments at assembly. This saves time and eliminates the risk of bearing contamination during assembly.

Roller bearing units offer many of the advantages of the split housing series but with the convenience of just slipping it on the shaft. Running or static misalignment, non-locating or locating assemblies, two- or four-bolt bases, cast iron and a variety of seal options make the roller bearing unit a preferred alternative to the split housing.



ConCentra™ spherical roller bearing unit

Patented multi-taper sleeve uniformly clamps the inner ring around the shaft circumference and sets the bearing internal clearance. The ConCentra locking method achieves true concentric mounting with the shaft, and also minimizes risk of damage or fretting corrosion on the shaft surface. The ConCentra design increases the axial holding strength of the bearing inner ring to the shaft, and also facilitates easy dismounting.

Some typical applications are:

- Apron conveyors
- Bucket elevators
- Belt conveyors
- Chain conveyors
- Fans & blowers
- Wastewater treatment equipment
- Commercial laundry equipment

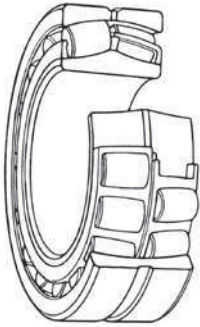
Introduction

Set screw mounted roller bearing unit

Roller bearing units are supplied completely assembled with bearings, seals, and grease. They are ready for installation right out of the box and require no internal adjustment.

Bearings

The bearings used in SKF roller bearing units are based on the high capacity SKF 22200 series spherical roller bearing. They can handle heavy radial and axial loads, running and static misalignment, and high operating temperatures. Clearances in the bearing are preset; no adjustment is required during mounting.

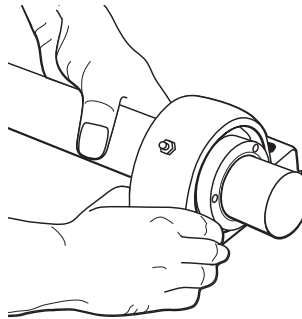


Grease

All roller bearing units are factory lubricated with SKF LGEP2 grease or equivalent.

Mounting

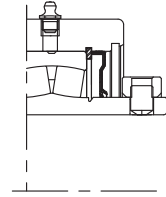
Set screw mounted roller bearing units slide easily onto the shaft and are locked in place with a double set screw locking collar. The locking collar keeps pressure on the set screws helping to maintain the tight fit with the shaft. For added holding power, the largest sizes are designed with two locking collars, indicated in the dimension tables. Mounting is quick and easy.



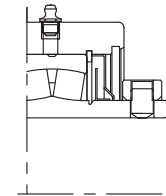
Housings

There are a variety of housing styles in the SKF roller bearing unit product line, including pillow blocks and flange units. Pillow blocks are made in two configurations: the P2BE is dimensionally interchangeable with competitor "E" designs and the P2B is dimensionally interchangeable with units such as the Dodge S-2000, Linkbelt P-B22400, and Rexnord ZA 2000 series.

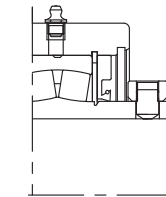
Seals



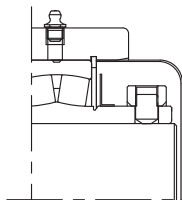
TriGard seal (R) *Standard offer*



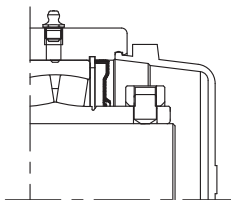
Labyrinth seal (L)



Garter spring seal (G)



End cover (Y) *3 7/16" shaft and up*



End cover (Y) *1 3/16" to 3" shaft*

Table 1

Set screw torque and permissible axial load			
Shaft sizes	Set screw	Torque	Permissible axial load
in	(No.) size	in-lbs	lbs
1 7/16 to 2 3/16	(2) 3/8" - 24	250	515
2 7/16 to 3 1/2	(2) 1/2" - 20	620	900
3 11/16 to 4	(2) 5/8" - 18	1325	1200
4 7/16 to 4 15/16	(4) 5/8" - 18	1325	2400

Table 2

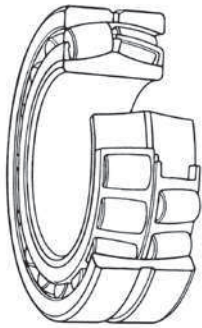
Recommended shaft tolerances	
Shaft diameter	Tolerance
Up to 1 15/16"	Nominal to -0.0005"
2" to 4 15/16"	Nominal to -0.0010"

Note: When the load is heavy, C/P < 8.3, a press fit must be used. Consult SKF Applications Engineering.

SKF ConCentra™ roller bearing unit

SKF ConCentra™ roller bearing units are supplied completely assembled with bearings, seals, and grease. They are ready for installation right out of the box and require no internal adjustment.

ConCentra units can be used in the same applications as set screw mounted roller bearing units. The difference between the two types is that the ConCentra unit mounts with a near 360° interference fit (see "Mounting", to the right, and Product descriptions on following page).



Bearings

The bearings used in ConCentra roller bearing units are based on the high capacity SKF 22200 series spherical roller bearing. They can handle heavy radial and axial loads, running and static misalignment, and high operating temperatures. Clearances in the bearing are preset; no adjustment is required during mounting.

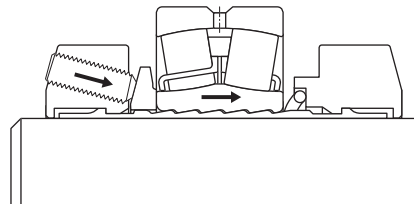
Grease

All roller bearing units are factory lubricated with SKF LGEP2 grease or equivalent.

	Grease characteristics
Base oil	Mineral
Thickener	Lithium
Application temperature	-4° to 230° F (-20° to 110° C)
NLGI	2
Viscosity at 100° F (40° C)	900 SUS (190 cSt)
212° F (100° C)	82 SUS (16 cSt)

Mounting

The ConCentra roller bearing unit uses a patented multi-tapered sleeve arrangement, making it easy to mount the bearing to the shaft. This method provides nearly 360° of interference fit, which does not offset the center line of the shaft and helps reduce fretting.



Housings

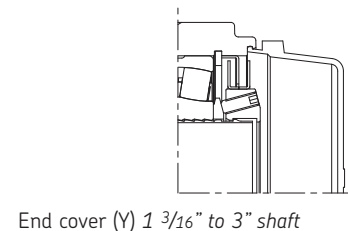
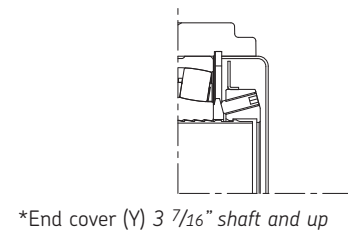
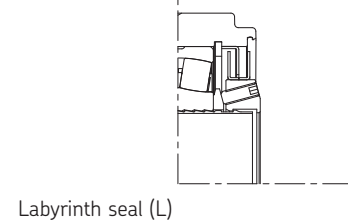
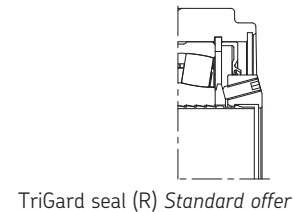
There are a variety of housing styles in the ConCentra roller bearing unit product line including pillow blocks and flange units. Pillow blocks are made in three configurations: the P2BE is dimensionally interchangeable with competitor "E" designs, the P2B is dimensionally interchangeable with units such as the Dodge S-2000, Linkbelt P-B22400, and SKF collar-mounted unit roller bearings; and the SYT is dimensionally interchangeable with plummer block assemblies of series SNL 5.

Tolerances

In normal cases shafts machined to tolerance h9 can be used. The cylindricity as defined in ISO 1101:1996 should be according to IT5/2. For less demanding applications h10 and IT7/2 may be satisfactory.

Shaft diameter	Tolerance
Up to 1 1/2" (Up to 38.10 mm)	+0.000" to -0.003" (+0 to -76 μm)
1 11/16" to 2 1/2" (42.86 to 63.50 mm)	+0.000" to -0.004" (+0 to -101 μm)
2 11/16" to 4" (68.26 to 101.60 mm)	+0.000" to -0.005" (+0 to -127 μm)

Seals



*Consult SKF for Availability

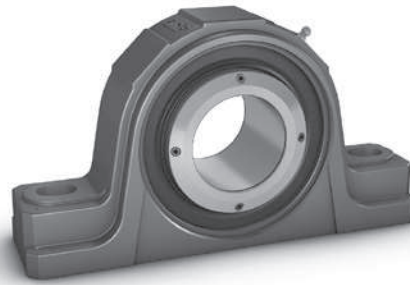
Product descriptions

SKF roller bearing units are available in a variety of housing styles and two mounting methods. These units are simple and economic bearing arrangements combining the high load capacity and self-aligning features of the SKF spherical roller bearing with the convenience of set screw or ConCentra mounting and a rugged cast-iron housing. They come pre-greased and fully assembled. Installation time is reduced and there is no risk of bearing contamination during assembly. Roller bearing units can accommodate running or static misalignment of $\pm 1\frac{1}{2}^\circ$ and can be supplied as non-locating or locating assemblies. All units incorporate triple protection TriGard seals as standard, but can also be supplied with optional performance seals.

Set screw units use a locking collar design to firmly secure the bearing inner ring to the shaft. The two set screws extend through the inner ring of the bearing and lock into the shaft. The elasticity of the locking collars maintains pressure on the set screws helping to maintain a secure fit to the shaft even in severe power transmission applications. Mounting is quick and easy. Slide the unit on the shaft, bolt the housing securely to the mounting surface and tighten the two set screws.

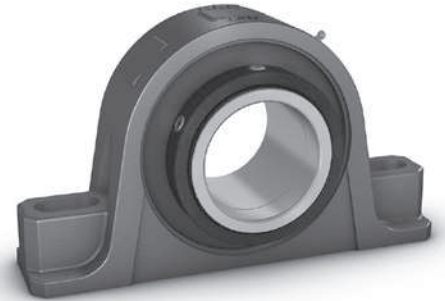
ConCentra units combine the advantages of adapter mounting found in split pillow blocks with the convenience of set screw mounting. The result is a positive, near 360° interference fit with the shaft. This is achieved with a unique patented multi-tapered sleeve arrangement developed by SKF. The shaft is held concentric to the bore of the bearing resulting in reduced fretting corrosion, good balance and low vibration. Dismounting is just as easy. Loosen the mounting set screws and tighten the dismounting set screws until the multi-tapered sleeve releases its grip, usually with a "POP". No need for cutting torches or other mechanical devices. Downtime and shafting cost are saved.

ConCentra units are available in SYE-N, FSYE-N, SYR-N, SYNT (metric), and FYNT (metric) pillow blocks as well as TBR-N and TRH-N take-up housings. FYR and FYRP flange housing are available on an application review basis. This is due to the often limited access to the dismounting set screws.



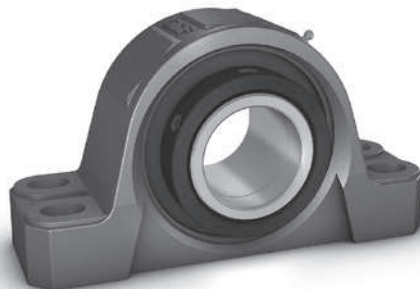
P2BE

Cast-iron two-bolt base pillow blocks with Type E dimensions are available in shaft sizes from $1\frac{7}{16}$ " to $3\frac{1}{2}$ ". See pages 314 and 315.



P2B

These are cast-iron two-bolt base unit roller pillow blocks. They are available in shaft sizes ranging from $1\frac{7}{16}$ " to 4". See pages 318 and 319.



P4BE

Cast iron four-bolt base pillow block with Type E dimensions are available for shafts from $2\frac{7}{16}$ " to $4\frac{15}{16}$ " with set screw mounting. ConCentra is available up to a 4". See pages 316 and 317.



P2BA

The cast-iron, two-bolt base pillow block unit with SAF dimensions. This makes for easy replacement when the features of a spherical roller unit are needed. See pages 320 and 321.

New Designations

Previous Designation	New Designation
SYR	P2B
SYAF	P2BA
SYE	P2BE
(F)SYAF	P4BA
FSYE	P4BE
FYR	F3BR
FYR	F4BR
FYE	F4BE
FYED	F4BED
FYRP	F4BRP
FYRP	F6BRP

Product descriptions



P4BA

The cast-iron, four-bolt base pillow block unit with SAF dimensions. This makes for easy replacement when the features of a spherical roller unit are needed. See pages 320 and 321.



F4BE

Cast-iron four-bolt flange with Type E dimensions roller bearing units are available in shaft sizes 1 $\frac{7}{16}$ " to 4 $\frac{7}{16}$ ". ConCentra available from 1 $\frac{7}{16}$ " to 4 $\frac{1}{2}$ ". See page 322 and 323.



F3BR

Cast-iron flange unit roller bearings support rotating shafts through walls, bulkheads or other flat surfaces. The three bolts are available in both set screw and ConCentra mounting in two sizes, 1 $\frac{7}{16}$ " and 1 $\frac{1}{2}$ ". See pages 306 and 327.



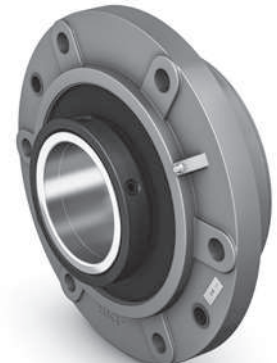
F4BR

Cast-iron flange unit roller bearings support rotating shafts through walls, bulkheads, or other flat surfaces. They are available for shaft sizes from 1 $\frac{7}{16}$ " to 4". These units rely on the mounting bolts for location and load carrying. See page 324 and 325.



F4BRP

These piloted flange cast-iron flange units, available for shaft sizes from 1 $\frac{1}{4}$ " to 4", have a machined extension on one side to fit into a precisely machined bulkhead opening. This provides additional location and support to the unit. See page 326 and 327.



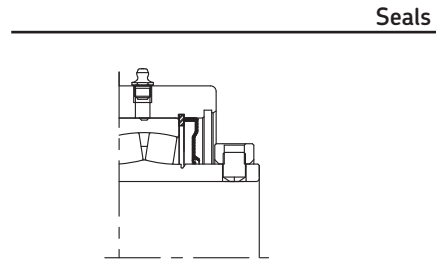
F6BRP

These piloted flange units are available in shaft sizes 4 $\frac{7}{16}$ " to 4 $\frac{15}{16}$ " with set screw mounting and 4 $\frac{7}{16}$ " to 5" with ConCentra mounting. They have a machined extension on one side to fit into a precisely machined bulkhead opening. This provides additional location and support to the unit. See pages 326 and 327.

Seal selection/Set screw-mounted roller bearing units

TriGard seal (R) *Standard offer*

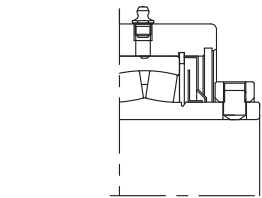
- Standard on all unit roller bearings
- Features a double lip molded contact seal, which rides on a ground surface of the inner ring
- Steel outboard trash guard protects the seal and excludes larger contaminants
- Provides positive contact even under misaligned conditions
- Permits $\pm 1\frac{1}{2}^\circ$ misalignment
- Low frictional torque
- Limited to 200° F maximum operating temperature



TriGard seal (R) *Standard offer*

Labyrinth seal (L)

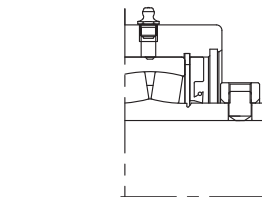
- Two-piece all metal labyrinth seal provides for high operating speeds
- Inboard flinger pressed on the inner ring of the bearing helps retain grease and exclude contaminants
- Outboard stationary plate is pressed into the housing and has close running tolerance with the inner ring of the bearing to prevent the entrance of contaminants
- Design permits $\pm 1\frac{1}{2}^\circ$ misalignment
- No frictional torque
- No temperature limitation



Labyrinth seal (L)

Garter spring seal (G)

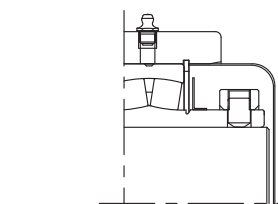
- Features one-piece molded nitrile rubber seal pressed into the housing bore
- Provides greater grease retention and sealing protection because stainless steel garter spring holds seal lip firmly to the ground inner ring
- Provides positive contact even under misaligned conditions
- Permits $\pm 1\frac{1}{2}^\circ$ misalignment
- Provides good protection in moist environment
- Limited to 200° F maximum operating temperature



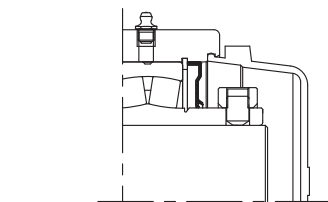
Garter spring seal (G)

End covers (Y)

- Steel end covers are simply pushed into position in the housing bore
- Provides additional sealing and protection against exposed shaft ends



End cover (Y) 3 7/16" shaft and up



End cover (Y) 1 3/16" to 3" shaft

Table 4

Seal speed limits		TriGard	Labyrinth	Garter Spring
Shaft size	rpm			
1 7/16	2300	5300	1700	
1 1/2	2300	5300	1700	
1 11/16	4500	4700	1600	
1 3/4	4500	4700	1600	
1 15/16	4100	4250	1450	
2	4100	4250	1450	
2 3/16	3700	3800	1300	
2 7/16	3100	3250	1100	
2 1/2	3100	3250	1100	
2 11/16	2800	2800	950	
2 3/4	2800	2800	950	
2 15/16	2800	2800	950	
3	2800	2800	950	
3 7/16	2300	2200	800	
3 1/2	2300	2200	800	
3 11/16	2100	2000	700	
3 15/16	2100	2000	700	
4	2100	2000	700	
4 7/16	1900	N/A	N/A	
4 1/2	1900	N/A	N/A	
4 15/16	1650	N/A	N/A	

Seal selection/ConCentra™ mounted roller bearing units

TriGard seal (R) Standard offer

- Standard on all unit roller bearings
- Features a double lip molded contact seal, which rides on a ground surface of the mounting and dismounting collars
- Steel outboard trash guard protects the seal and excludes larger contaminants
- Provides positive contact even under misaligned conditions
- Permits $\pm 1\frac{1}{2}^\circ$ misalignment
- Low frictional torque
- Limited to 200° F maximum operating temperature

Labyrinth seal (L)

- Three-piece all metal labyrinth seal allows operation at the basic bearing grease speed rating
- Inboard flinger pressed on the inner ring of the bearing helps retain grease
- Outboard plate pressed on the inner ring flings contaminants away from the seal opening
- A stationary trash guard, positioned between the two flingers, is pressed into the housing and helps create a difficult path labyrinth to prevent the ingress of contaminants
- Permits $\pm 1\frac{1}{2}^\circ$ misalignment
- No frictional torque
- No temperature limitation

Heavy duty seal (T)

- Features an auxiliary lip which provide to superior protection against coarse contaminants
- These robust seals have a steel insert that is encased in acrylonitrile-butadiene rubber (NBR)
- The primary seal lip can maintain its sealing ability even if there is excessive wear
- Allows for $\pm 1\frac{1}{2}^\circ$ misalignment
- Suitable for extreme environments

End covers (Y)

- Steel end covers are simply pushed into position in the housing bore
- Provides additional sealing and protection against exposed shaft ends

Table 5

Seal speed limits		
Shaft size	TriGard	Labyrinth
in	rpm	
1 $\frac{7}{16}$	4000	5600
1 $\frac{1}{2}$	4000	5600
1 $\frac{11}{16}$	3700	5300
1 $\frac{3}{4}$	3700	5300
1 $\frac{15}{16}$	3500	5000
2	3500	5000
2 $\frac{3}{16}$	3250	4500
2 $\frac{7}{16}$	2900	3800
2 $\frac{1}{2}$	2900	3800
2 $\frac{11}{16}$	2600	3400
2 $\frac{3}{4}$	2600	3400
2 $\frac{15}{16}$	2600	3400
3	2600	3400
3 $\frac{7}{16}$	2200	2600
3 $\frac{1}{2}$	2200	2600
3 $\frac{15}{16}$	2000	2200
4	2000	2200

Pillow block / set screw

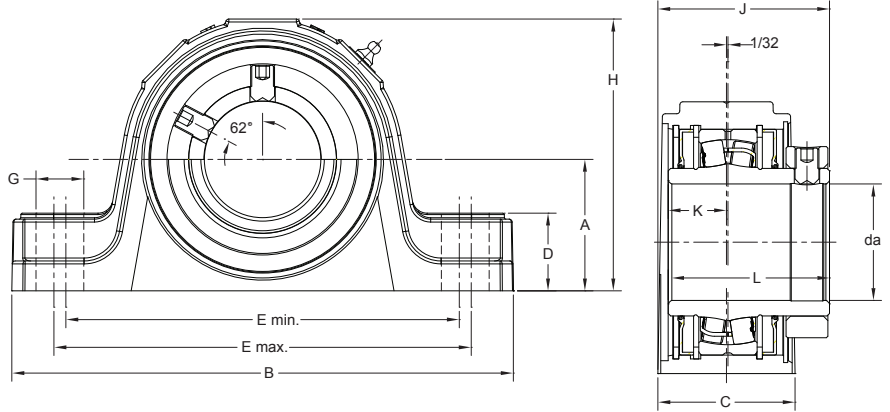
P2BE

Cast-iron housing
 2-bolt base
 Type E dimensions
 Self-aligning
 Locating or non-locating
 TriGard seal

How to order **P2BE 207-SRB-SRE**

Option Specify

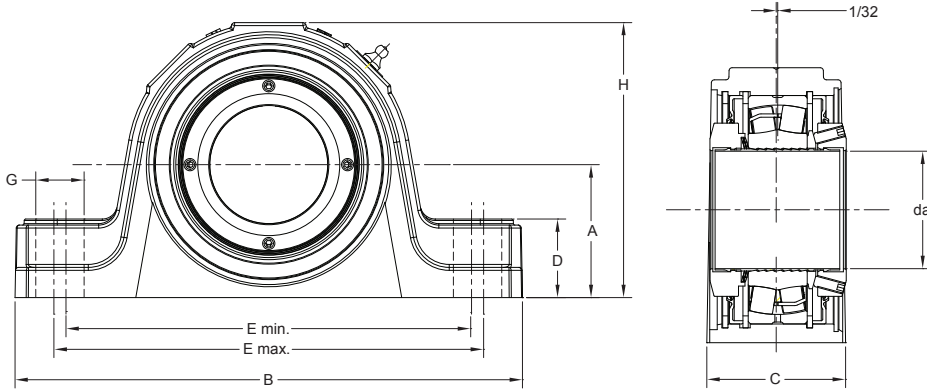
TriGard seal P2BE 207-SRB-SRE
 Garter spring seal P2BE 207-SRB-SGH
 Labyrinth seal P2BE 207-SRB-SLE
 Locating unit P2BE 207-SRB-SRH
 Non-locating unit P2BE 207-SRB-SRE



Shaft dia. d _a	Previous Designation	New Designation	Bearing basic load rating dynamic C	TriGard speed limit rpm	Mass lbs	Dimensions											Bolts (No. req'd)
						A	B	C	D	E Max	E Min	G	H	J	K	L	
in	—	—	lbs	rpm	lbs	in											in
1 7/16	SYE 1 7/16	P2BE 107-SRB-SRE	16 600	5100	8.0	1 7/8	7 3/8	2 1/8	1 1/8	5 7/8	5 5/8	3/4	3 7/8	2 27/32	1	2 3/4	(2)-1/2
1 1/2	SYE 1 1/2	P2BE 108-SRB-SRE	16 600	5100	8.0												
1 11/16	SYE 1 11/16	P2BE 111-SRB-SRE	17 300	4 500	9.3	2 1/8	7 7/8	2 3/8	1 1/4	6 3/8	6 1/8	3/4	4 1/4	2 31/32	1	2 3/4	(2)-1/2
1 3/4	SYE 1 3/4	P2BE 112-SRB-SRE	17 300	4500	9.3												
1 15/16	SYE 1 15/16	P2BE 115-SRB-SRE	19 000	4100	10.5	2 1/4	8 7/8	2 1/2	1 5/16	7 1/8	6 7/8	7/8	4 1/2	3 5/32	1	2 7/8	(2)-5/8
2	SYE 2	P2BE 200-SRB-SRE	19 000	4100	10.5												
2 3/16	SYE 2 3/16	P2BE 203-SRB-SRE	22 400	3700	13.5	2 1/2	9 5/8	2 5/8	1 1/2	8	7 5/8	7/8	5	3 11/32	1 1/8	3 1/8	(2)-5/8
2 7/16	SYE 2 7/16	P2BE 207-SRB-SRE	33 300	3100	18.5	2 3/4	10 1/2	2 7/8	1 5/8	8 3/4	8 1/4	1	5 11/16	3 19/32	1 1/4	3 3/8	(2)-5/8
2 1/2	SYE 2 1/2	P2BE 208-SRB-SRE			18.0												
2 11/16	SYE 2 11/16	P2BE 211-SRB-SRE			25.5												
2 3/4	SYE 2 3/4	P2BE 212-SRB-SRE	35 500	2800	25.0												
2 15/16	SYE 2 15/16	P2BE 215-SRB-SRE			24.0	3 1/8	12	3	1 7/8	9 3/4	9 1/4	1 1/8	6 5/16	3 29/32	1 1/4	3 5/8	(2)-3/4
3	SYE 3	P2BE 300-SRB-SRE			23.5												
3 7/16	SYE 3 7/16	P2BE 307-SRB-SRE	56 900	2300	35.5	3 3/4	14	3 5/8	2 1/4	11 7/16	10 9/16	1 5/16	7 1/2	4 7/16	1 7/16	4 1/32	(2)-7/8
3 1/2	SYE 3 1/2	P2BE 308-SRB-SRE			35.5												

For shaft diameter tolerances see page 308; for bearing information see page 328; for other seal speed limits see page 312.

Pillow block / ConCentra™



- P2BE**
- Cast-iron housing
- 2-bolt base
- Type E dimensions
- Self-aligning
- Locating or non-locating
- TriGard seal

How to order	P2BE 207-SRB-CRE
Option	Specify
TriGard seal	P2BE 207-SRB- CRE
Garter spring seal	P2BE 207-SRB- CGH
Labyrinth seal	P2BE 207-SRB- CLE
Locating unit	P2BE 207-SRB- CRH
Non-locating unit	P2BE 207-SRB- CRE

Shaft dia. d _a	Previous Designation	New Designation	Bearing basic load rating dynamic C	TriGard speed limit rpm	Mass lbs									Bolts (No. req'd)
						A	B	C	D	E Max	E Min	G	H	
in	—	—	lbs	rpm	lbs	in	in	in	in	in	in	in	in	in
1 7/16	SYE 1 7/16 N	P2BE 107-SRB-CRE	22 900	4000	8.0	1 7/8	7 3/8	2 1/8	1 1/8	5 7/8	5 5/8	3/4	3 7/8	(2)-1/2
1 1/2	SYE 1 1/2 N	P2BE 108-SRB-CRE	22 900	4000	8.0	2 1/8	7 7/8	2 3/8	1 1/4	6 3/8	6 1/8	3/4	4 1/4	(2)-1/2
1 11/16	SYE 1 11/16 N	P2BE 111-SRB-CRE	20 200	3700	9.3	2 1/8	7 7/8	2 3/8	1 1/4	6 3/8	6 1/8	3/4	4 1/4	(2)-1/2
1 3/4	SYE 1 3/4 N	P2BE 112-SRB-CRE	20 200	3700	9.3	2 1/4	8 7/8	2 1/2	1 5/16	7 1/8	6 7/8	7/8	4 1/2	(2)-5/8
1 15/16	SYE 1 15/16 N	P2BE 115-SRB-CRE	21 700	3500	10.5	2 1/4	8 7/8	2 1/2	1 5/16	7 1/8	6 7/8	7/8	4 1/2	(2)-5/8
2	SYE 2 N	P2BE 200-SRB-CRE	21 700	3500	10.5	2 3/4	10 1/2	2 7/8	1 5/8	8 3/4	8 1/4	1	5 11/16	(2)-5/8
2 3/16	SYE 2 3/16 N	P2BE 203-SRB-CRE	30 100	3250	13.5	2 1/2	9 5/8	2 5/8	1 1/2	8	7 5/8	7/8	5	(2)-5/8
2 7/16	SYE 2 7/16 N	P2BE 207-SRB-CRE	43 400	2900	18.5	2 3/4	10 1/2	2 7/8	1 5/8	8 3/4	8 1/4	1	5 11/16	(2)-5/8
2 1/2	SYE 2 1/2 N	P2BE 208-SRB-CRE	43 400	2900	18.5	2 3/4	10 1/2	2 7/8	1 5/8	8 3/4	8 1/4	1	5 11/16	(2)-5/8
2 11/16	SYE 2 11/16 N	P2BE 211-SRB-CRE	47 700	2600	25.5	3 1/8	12	3	1 7/8	9 3/4	9 1/4	1 1/8	6 5/16	(2)-3/4
2 3/4	SYE 2 3/4 N	P2BE 212-SRB-CRE	47 700	2600	25.0	3 1/8	12	3	1 7/8	9 3/4	9 1/4	1 1/8	6 5/16	(2)-3/4
2 15/16	SYE 2 15/16 N	P2BE 215-SRB-CRE	47 700	2600	24.0	3 1/8	12	3	1 7/8	9 3/4	9 1/4	1 1/8	6 5/16	(2)-3/4
3	SYE 3 N	P2BE 300-SRB-CRE	65 200	2200	23.5	3 3/4	14	3 5/8	2 1/4	11 7/16	10 9/16	1 5/16	7 1/2	(2)-7/8
3 7/16	SYE 3 7/16 N	P2BE 307-SRB-CRE	65 200	2200	35.5	3 3/4	14	3 5/8	2 1/4	11 7/16	10 9/16	1 5/16	7 1/2	(2)-7/8
3 1/2	SYE 3 1/2 N	P2BE 308-SRB-CRE	65 200	2200	35.5	3 3/4	14	3 5/8	2 1/4	11 7/16	10 9/16	1 5/16	7 1/2	(2)-7/8

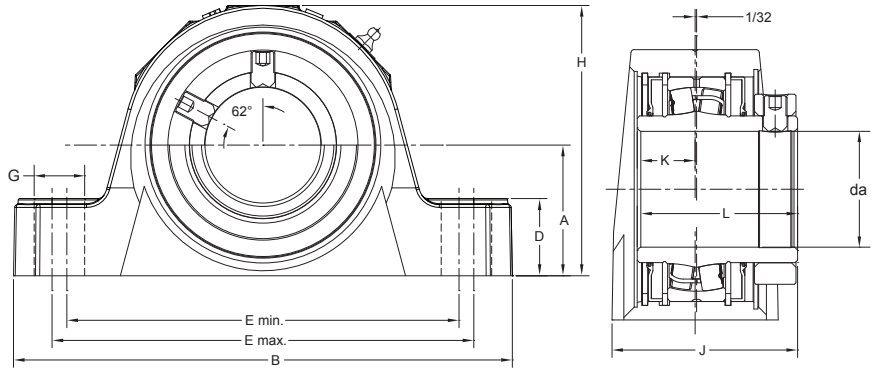
For shaft diameter tolerances see page 309; for bearing information see page 329; for other seal speed limits see page 313.

Pillow block / set screw

P4BE

- Cast-iron housing
- 4-bolt base
- Type E dimensions
- Self-aligning
- Locating or non-locating
- TriGard seal

How to order	P4BE 207-SRB-SRE
Option	Specify
TriGard seal	P4BE 207-SRB-SRE
Garther spring seal	P4BE 207-SRB-SGH
Labyrinth seal	P4BE 207-SRB-SLE
Locating unit	P4BE 207-SRB-SRH
Non-locating unit	P4BE 207-SRB-SRE

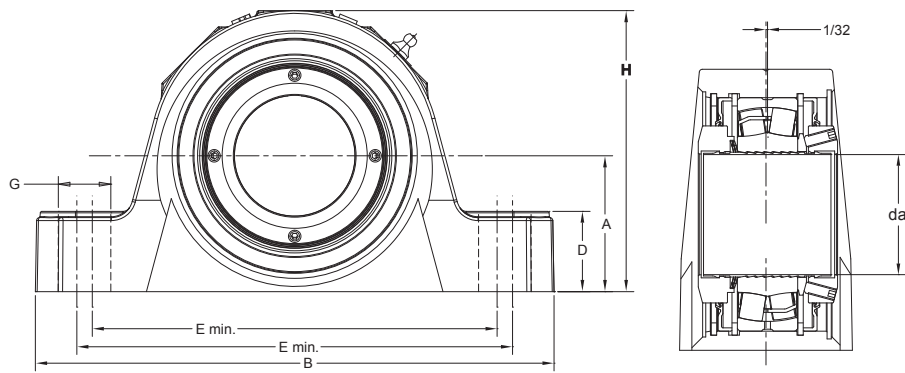


Shaft dia. d _a	Previous Designation	New Designation	Bearing basic load rating dynamic C	TriGard speed limit rpm	Mass lbs	Dimensions											Bolts (No. req'd)			
						A	B	C	D	E Max	E Min	F	G	H	J	K		L		
2 7/16	FSYE 2 7/16	P4BE 207-SRB-SRE	33 300	3100	19.0	2 3/4	10 1/2	3 1/2	1 5/8	8 3/4	8 1/4	1 7/8	1	5 11/16	3 19/32	1 1/4	3 3/8	(4)-5/8		
2 1/2	FSYE 2 1/2	P4BE 208-SRB-SRE				18.5	2 3/4	10 1/2	3 1/2	1 5/8	8 3/4	8 1/4	1 7/8	1	5 11/16	3 19/32	1 1/4	3 3/8	(4)-5/8	
2 11/16	FSYE 2 11/16	P4BE 211-SRB-SRE	35 500	2800	25.5	3 1/8	12	4	1 7/8	10 1/8	9 1/8	2 1/8	1 1/8	6 5/16	3 29/32	1 1/4	3 5/8	(4)-5/8		
2 3/4	FSYE 2 3/4	P4BE 212-SRB-SRE				25.5	3 1/8	12	4	1 7/8	10 1/8	9 1/8	2 1/8	1 1/8	6 5/16	3 29/32	1 1/4	3 5/8	(4)-5/8	
2 15/16	FSYE 2 15/16	P4BE 215-SRB-SRE				24.0	3	FSYE 3	P4BE 300-SRB-SRE	24.0	3 1/8	12	4	1 7/8	10 1/8	9 1/8	2 1/8	1 1/8	6 5/16	3 29/32
3	FSYE 3	P4BE 300-SRB-SRE	24.0	3	FSYE 3	P4BE 300-SRB-SRE	24.0	3 1/8	12	4	1 7/8	10 1/8	9 1/8	2 1/8	1 1/8	6 5/16	3 29/32	1 1/4	3 5/8	(4)-5/8
3 7/16	FSYE 3 7/16	P4BE 307-SRB-SRE	56 900	2300	36.5	3 3/4	14	4 1/2	2 1/4	11 3/4	10 1/2	2 3/8	15/16	7 1/2	4 7/16	17/16	4 1/32	(4)-3/4		
3 1/2	FSYE 3 1/2	P4BE 308-SRB-SRE				36.5	3 3/4	14	4 1/2	2 1/4	11 3/4	10 1/2	2 3/8	15/16	15/16	7 1/2	4 7/16	17/16	4 1/32	(4)-3/4
3 11/16	FSYE 3 11/16	P4BE 311-SRB-SRE	69 900	2100	49.5	4 1/4	15 1/4	4 1/2	2 7/16	13 1/8	12	2 1/4	13/8	8 9/16	4 7/8	15/8	4 19/32	(4)-3/4		
3 15/16	FSYE 3 15/16	P4BE 315-SRB-SRE				49.5	4 1/4	15 1/4	4 1/2	2 7/16	13 1/8	12	2 1/4	13/8	13/8	8 9/16	4 7/8	15/8	4 19/32	(4)-3/4
4	FSYE 4	P4BE 400-SRB-SRE				49.5	4 1/4	15 1/4	4 1/2	2 7/16	13 1/8	12	2 1/4	13/8	13/8	8 9/16	4 7/8	15/8	4 19/32	(4)-3/4
4 7/16	FSYE 4 7/16	P4BE 407-SRB-SRE	91 700	1900	71.0	4 3/4	16 5/8	4 5/8	2 3/4	14 1/2	13 1/8	2 1/2	1 1/4	9 3/8	4 31/32	-	-	(4)-3/4		
4 1/2	FSYE 4 1/2	P4BE 408-SRB-SRE				71.0	4 3/4	16 5/8	4 5/8	2 3/4	14 1/2	13 1/8	2 1/2	1 1/4	9 3/8	4 31/32	-	-	(4)-3/4	
4 15/16	FSYE 4 15/16	P4BE 415-SRB-SRE	123 000	1650	100.0	5 1/2	18 1/2	5 1/8	3	16 1/4	15 1/8	2 3/4	13/8	10 7/8	5 17/32	-	-	(4)-7/8		

For shaft diameter tolerances see page 308; for bearing information see page 328; for other seal speed limits see page 312.

P4BE 207-SRB-SRE thru P4BE 400-SRB-SRE supplied with single locking collar only.

P4BE 407-SRB-SRE thru P4BE 415-SRB-SRE supplied with double locking collar only.



Pillow block / ConCentra™

P4BE

- Cast-iron housing
- 4-bolt base
- Type E dimensions
- Self-aligning
- Locating or non-locating
- TriGard seal

How to order	P4BE 207-SRB-CRE
Option	Specify
TriGard seal	P4BE 207-SRB-CRE
Garter spring seal	P4BE 207-SRB-CGH
Labyrinth seal	P4BE 207-SRB-CLE
Locating unit	P4BE 207-SRB-CRH
Non-locating unit	P4BE 207-SRB-CRE

Shaft dia. d _a	Previous Designation	New Designation	Bearing basic load rating dynamic C	TriGard speed limit rpm	Mass lbs											Bolts (No. req'd)
						A	B	C	D	E Max	E Min	F	G	H		
in	—		lbs	rpm	lbs	in	in	in	in	in	in	in	in	in	in	
2 7/16	FSYE 2 7/16 N	P4BE 207-SRB-CRE	43 400	2900	19.0	2 3/4	10 1/2	3 1/2	1 5/8	8 3/4	8 1/4	1 7/8	1	5 11/16	(4)-5/8	
2 1/2	FSYE 2 1/2 N	P4BE 208-SRB-CRE														
2 11/16	FSYE 2 11/16 N	P4BE 211-SRB-CRE	47 700	2600	25.5	3 1/8	12	4	1 7/8	10 1/8	9 1/8	2 1/8	1 1/8	6 5/16	(4)-5/8	
2 3/4	FSYE 2 3/4 N	P4BE 212-SRB-CRE														
2 15/16	FSYE 2 15/16 N	P4BE 215-SRB-CRE														
3	FSYE 3 N	P4BE 300-SRB-CRE														
3 7/16	FSYE 3 7/16 N	P4BE 307-SRB-CRE	65 200	2200	36.5	3 3/4	14	4 1/2	2 1/4	11 3/4	10 1/2	2 3/8	1 5/16	7 1/2	(4)-3/4	
3 1/2	FSYE 3 1/2 N	P4BE 308-SRB-CRE														
3 11/16	FSYE 3 11/16 N	P4BE 311-SRB-CRE	81 000	2000	50.5	4 1/4	15 1/4	4 1/2	2 7/16	13 1/8	12	2 1/4	1 3/8	8 9/16	(4)-3/4	
3 15/16	FSYE 3 15/16 N	P4BE 315-SRB-CRE														
4	FSYE 4 N	P4BE 400-SRB-CRE														

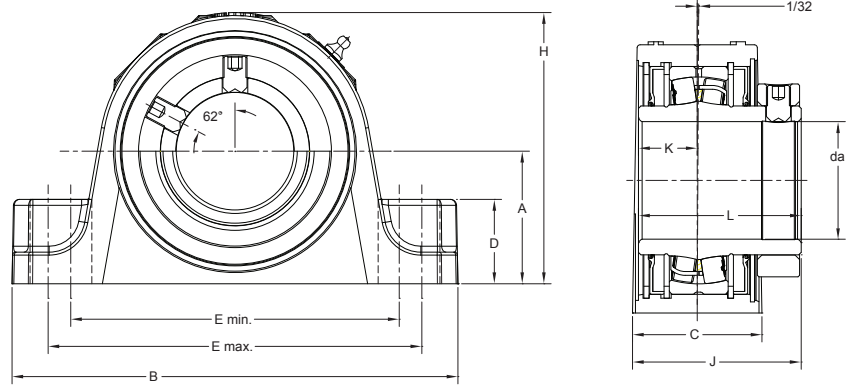
For shaft diameter tolerances see page 309; for bearing information see page 329; for other seal speed limits see page 313.

Pillow block / set screw

P2B

- Cast-iron housing
- 2-bolt base
- Self-aligning
- Locating or non-locating
- TriGard seal

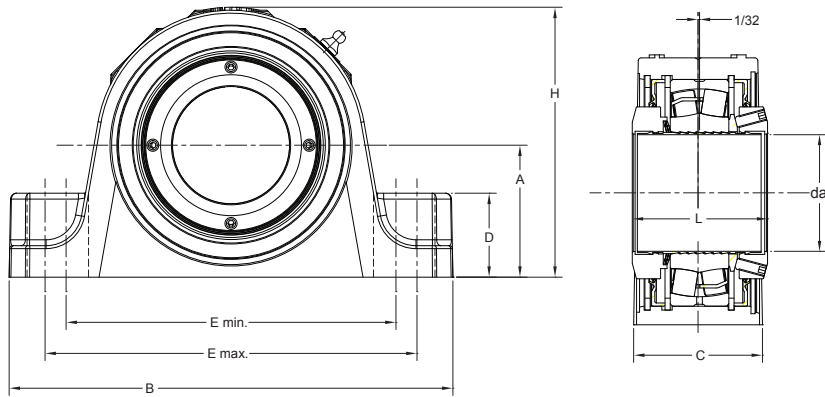
How to order	P2B 207-SRB-SRE
Option	Specify
TriGard seal	P2B 207-SRB-SRE
Garter spring seal	P2B 207-SRB-SGH
Labyrinth seal	P2B 207-SRB-SLE
Locating unit	P2B 207-SRB-SRH
Non-locating unit	P2B 207-SRB-SRE



Shaft dia. d _a	Previous Designation	New Designation	Bearing basic load rating Dynamic C	TriGard speed limit	Mass	Dimensions										Bolts (No. req'd)
						A	B	C	D	E Max	E Min	H	J	K	L	
in			lbs	rpm	lbs	in										in
1 7/16	SYR 1 7/16	P2B 107-SRB-SRE	16 600	5100	7.0	1 7/8	6 7/8	2 1/8	1 3/16	5 5/16	4 11/16	3 7/8	2 13/16	1	2 3/4	(2)-1/2
1 1/2	SYR 1 1/2	P2B 108-SRB-SRE			7.0											
1 11/16	SYR 1 11/16	P2B 111-SRB-SRE	17 300	4500	8.1	2 1/8	7 3/8	2 3/8	1 5/16	5 13/16	5 3/16	4 1/4	2 15/16	1	2 7/8	(2)-1/2
1 3/4	SYR 1 3/4	P2B 112-SRB-SRE			8.1											
1 15/16	SYR 1 15/16	P2B 115-SRB-SRE	19 000	4100	9.2	2 1/4	8 3/8	2 3/8	1 3/8	6 9/16	5 15/16	4 9/16	2 15/16	1	2 7/8	(2)-5/8
2	SYR 2	P2B 200-SRB-SRE			9.1											
2 3/16	SYR 2 3/16	P2B 203-SRB-SRE	22 400	3700	12.0	2 1/2	8 7/8	2 3/8	1 5/8	7 1/16	6 7/16	5	3 3/16	1 1/8	3 1/8	(2)-5/8
2 7/16	SYR 2 7/16	P2B 207-SRB-SRE	33 300	3100	16.0	2 3/4	9 1/4	2 11/16	1 3/4	7 7/16	6 13/16	5 11/16	3 7/16	1 1/4	3 3/8	(2)-5/8
2 1/2	SYR 2 1/2	P2B 208-SRB-SRE			16.0											
2 11/16	SYR 2 11/16	P2B 211-SRB-SRE			22.0											
2 3/4	SYR 2 3/4	P2B 212-SRB-SRE	35 500	2800	22.0	3 1/4	10 7/16	2 11/16	2 1/4	8 7/16	7 13/16	6 7/16	3 11/16	1 1/4	3 5/8	(2)-3/4
2 15/16	SYR 2 15/16	P2B 215-SRB-SRE			21.0											
3	SYR 3	P2B 300-SRB-SRE			21.0											
3 7/16	SYR 3 7/16	P2B 307-SRB-SRE	56 900	2300	31.5	3 3/4	13	3 3/16	2 1/4	10 3/4	9 1/4	7 1/2	4 3/32	1 7/16	4 1/32	(2)-7/8
3 1/2	SYR 3 1/2	P2B 308-SRB-SRE			31.5											
3 11/16	SYR 3 11/16	P2B 311-SRB-SRE			44.5											
3 15/16	SYR 3 15/16	P2B 315-SRB-SRE	69 900	2100	43.5	4 1/8	14 1/4	3 17/32	2 1/2	11 3/4	10	8 7/16	4 21/32	1 5/8	4 19/32	(2)-1
4	SYR 4	P2B 400-SRB-SRE			43.5											

For shaft diameter tolerances see page 308; for bearing information see page 328; for other seal speed limits see page 311.

Pillow block / ConCentra™



- P2B**
- Cast-iron housing
- 2-bolt base
- Self-aligning
- Locating or non-locating
- TriGard seal

How to order	P4BE 207-SRB-CRE
Option	Specify
TriGard seal	P2B 207-SRB-CRE
Garner spring seal	P2B 207-SRB-CGH
Labyrinth seal	P2B 207-SRB-CLE
Locating unit	P2B 207-SRB-CRH
Non-locating unit	P2B 207-SRB-CRE

Shaft dia. d _a	Previous Designation	New Designation	Bearing basic load rating Dynamic C	TriGard speed limit rpm	Mass lbs									Bolts (No. req'd)
						A	B	C	D	E Max	E Min	H	L	
1 7/16	SYR 1 7/16 N	P2B 107-SRB-CRE	22 900	4000	7.0	1 7/8	6 7/8	2 1/16	1 3/16	5 5/16	4 11/16	3 7/8	2 11/32	(2)-1/2
1 1/2	SYR 1 1/2 N	P2B 108-SRB-CRE				7.0	7 7/8	2 1/8	1 5/16	5 13/16	5 3/16	4 1/4	2 11/32	(2)-1/2
1 11/16	SYR 1 11/16 N	P2B 111-SRB-CRE	20 200	3700	7.0	2 1/8	7 3/8	2 1/8	1 5/16	5 13/16	5 3/16	4 1/4	2 11/32	(2)-1/2
1 3/4	SYR 1 3/4 N	P2B 112-SRB-CRE				8.1	8 3/8	2 5/16	1 3/8	6 9/16	5 15/16	4 9/16	2 11/32	(2)-5/8
1 15/16	SYR 1 15/16 N	P2B 115-SRB-CRE	21 700	3500	8.1	2 1/4	8 3/8	2 5/16	1 3/8	6 9/16	5 15/16	4 9/16	2 11/32	(2)-5/8
2	SYR 2 N	P2B 200-SRB-CRE				9.2	8 7/8	2 3/8	1 5/8	7 1/16	6 7/16	5	2 11/32	(2)-5/8
2 3/16	SYR 2 3/16 N	P2B 203-SRB-CRE	30 100	3250	12.0	2 1/2	8 7/8	2 3/8	1 5/8	7 1/16	6 7/16	5	2 11/32	(2)-5/8
2 7/16	SYR 2 7/16 N	P2B 207-SRB-CRE				16.0	9 1/4	2 11/16	1 3/4	7 7/16	6 13/16	5 11/16	2 37/64	(2)-5/8
2 1/2	SYR 2 1/2 N	P2B 208-SRB-CRE	47 700	2600	22.0	3 1/4	10 7/16	2 11/16	2 1/4	8 7/16	7 13/16	6 7/16	2 37/64	(2)-3/4
2 11/16	SYR 2 11/16 N	P2B 211-SRB-CRE				21.0	10 7/16	2 11/16	2 1/4	8 7/16	7 13/16	6 7/16	2 37/64	(2)-3/4
2 3/4	SYR 2 3/4 N	P2B 212-SRB-CRE	47 700	2600	22.0	3 1/4	10 7/16	2 11/16	2 1/4	8 7/16	7 13/16	6 7/16	2 37/64	(2)-3/4
2 15/16	SYR 2 15/16 N	P2B 215-SRB-CRE				21.0	10 7/16	2 11/16	2 1/4	8 7/16	7 13/16	6 7/16	2 37/64	(2)-3/4
3	SYR 3 N	P2B 300-SRB-CRE	65 200	2200	31.5	3 3/4	13	3 3/16	2 1/4	10 3/4	9 1/4	7 1/2	3 5/32	(2)-7/8
3 7/16	SYR 3 7/16 N	P2B 307-SRB-CRE				31.5	13	3 3/16	2 1/4	10 3/4	9 1/4	7 1/2	3 5/32	(2)-7/8
3 1/2	SYR 3 1/2 N	P2B 308-SRB-CRE	81 000	2000	43.5	4 1/8	14 1/4	3 17/32	2 1/2	1 13/4	10	8 7/16	3 3/8	(2)-1
3 11/16	SYR 3 11/16 N	P2B 311-SRB-CRE				44.5	14 1/4	3 17/32	2 1/2	1 13/4	10	8 7/16	3 3/8	(2)-1
3 15/16	SYR 3 15/16 N	P2B 315-SRB-CRE	81 000	2000	43.5	4 1/8	14 1/4	3 17/32	2 1/2	1 13/4	10	8 7/16	3 3/8	(2)-1
4	SYR 4 N	P2B 400-SRB-CRE				43.5	14 1/4	3 17/32	2 1/2	1 13/4	10	8 7/16	3 3/8	(2)-1

For shaft diameter tolerances see page 309; for bearing information see page 329; for other seal speed limits see page 312.

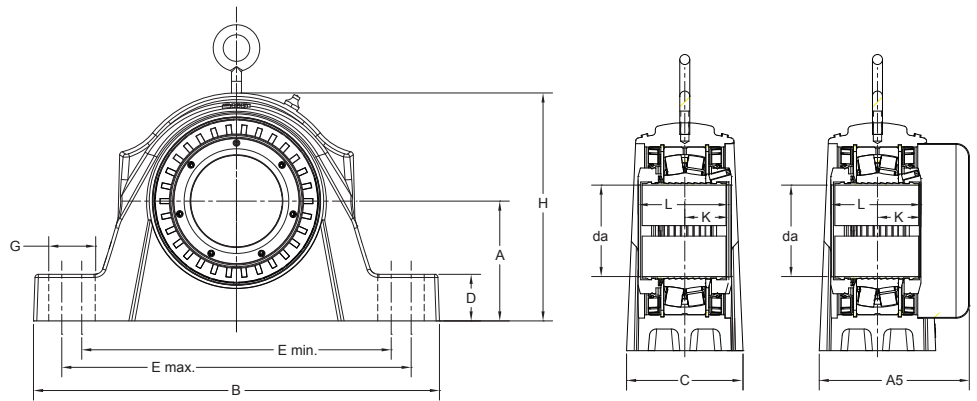
Pillow block

P2BA/P4BA - ConCentra only

Cast-iron housing
2- and 4- bolt base
SAF dimensions
Self-aligning
Locating or non-locating
TriGard seal

How to order	P2BA 303 SRB-CRE
Option	Specify

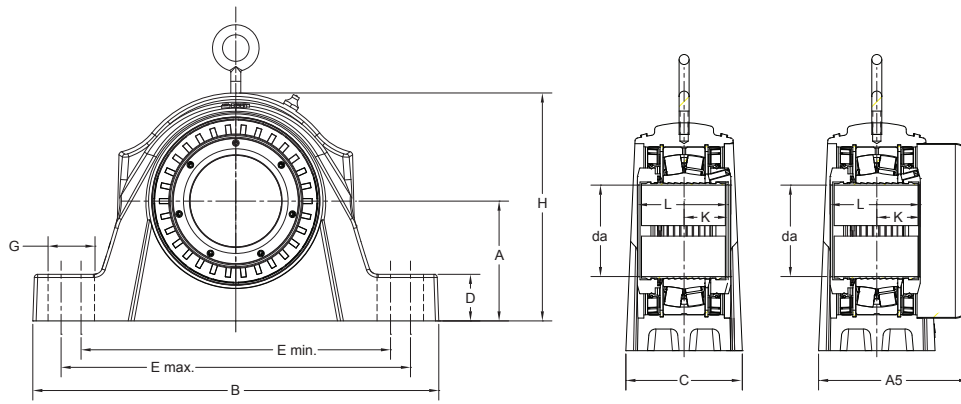
TriGard seal	P2BA 303 SRB-CRE
Garter spring seal	P2BA 303 SRB-CGH
Labyrinth seal:	P2BA 303 SRB-CLE
Heavy duty seal	P2BA 303 SRB-CTE
Locating unit	P2BA 303 SRB-CRH
Non locating unit	P2BA 303 SRB-CRE



Shaft dia d_a	Designation Pillow block unit non-locating	New Designation	Insert Bearing designation	Bearing basic load rating dynamic C	Seals speed limits TriGard
in	–			lbf	rpm
3 3/16	SYAF 3 3/16 N	P2BA 303-SRB-CRE			
3 7/16	SYAF 3 7/16 N	P2BA 307-SRB-CRE	22218	74.4	2100
3 1/2	SYAF 3 1/2 N	P2BA 308-SRB-CRE			
3 3/16	FSYAF 3 3/16 N	P4BA 303-SRB-CRE			
3 7/16	FSYAF 3 7/16 N	P4BA 307-SRB-CRE	22218	74.4	2100
3 1/2	FSYAF 3 1/2 N	P4BA 308-SRB-CRE			
3 11/16	SYAF 3 11/16 N	P4BA 311-SRB-CRE			
3 15/16	SYAF 3 15/16 N	P4BA 315-SRB-CRE	22220	97.3	2000
4	SYAF 4 N	P4BA 400-SRB-CRE			
4 7/16	SYAF 4 7/16 N	P4BA 407-SRB-CRE	22222	128.6	2000
4 15/16	SYAF 4 15/16 N	P4BA 415-SRB-CRE	22226	170.4	1800

For shaft diameter tolerances see page 308; for bearing information see page 330; for other seal speed limits see page 311.

* Must be ordered separately.



A	B	C	D	E Max	E Min	F	G	H	A5	Static oil level K	L	Bolts (No. req'd)	End cover designation
in													
4.500	15 1/4	4 3/8	1 3/4	11 5/8	13 1/8	-	1 3/4	8 9/16	5 5/8	1.7	3.4	(2) 7/8"	ECM 218*
4.500	15 1/4	4 3/8	1 3/4	11 5/8	13 1/8	2 3/8	1 9/16	8 9/16	5 5/8	1.7	3.4	(4) 3/4"	ECM 218*
4.938	16 1/2	4 3/4	2	12 5/8	14 1/2	2 3/4	1 13/16	9 7/16	6 5/32	1.75	3.48	(4) 3/4"	ECM 220*
6.000	18 3/8	5 1/4	2 3/8	14 5/8	16	3 1/4	1 5/8	11	6 3/4	1.95	3.9	(4) 7/8"	ECM 222*
6.000	20 1/8	5 7/8	2 3/8	15 5/8	17 3/8	3 3/8	2	12 1/32	7 13/32	2.303	4.606	(4) 1"	ECM 226*

For shaft diameter tolerances see page 308; for bearing information see page 330; for other seal speed limits see page 311.

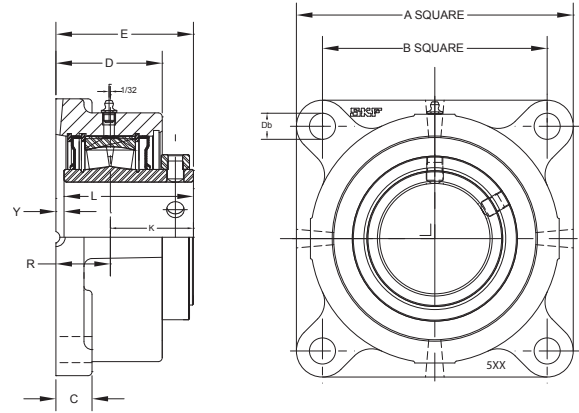
Flange / set screw

F4BE

Cast-iron housing
4-bolt
Type E dimensions
Self-aligning
Locating or non-locating
TriGard seal

How to order	F4BE 207-SRB-SRE
Option	Specify

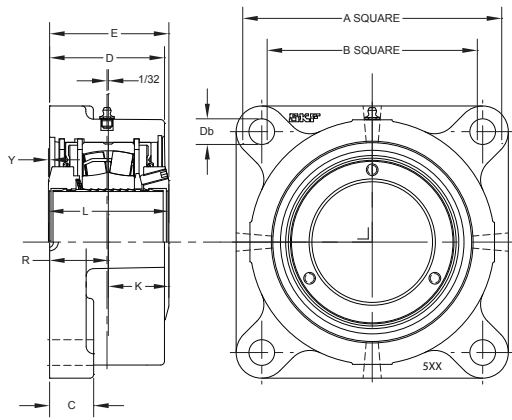
TriGard seal	F4BE 207-SRB- SRE
Garter spring seal	F4BE 207-SRB- SGH
Labyrinth seal	F4BE 207-SRB- SLE
Locating unit	F4BE 207-SRB- SRH
Non-locating unit	F4BE 207-SRB- SRE



Shaft dia. d _a	Previous Designation	New Designation	Bearing basic load rating Dynamic C	TriGard speed limit rpm	Mass lbs	Bolt square				K	L	R	Y	Bolts (No. req'd)	Bolt Hole D _b	
						A	B	C	D							E
in			lbs	rpm	lbs	in	in	in	in	in	in	in	in	in	in	
1 3/16	FYE 1 3/16	F4BE 103-SRB-SRE			7.6											
1 1/4	FYE 1 1/4	F4BE 104-SRB-SRE	16 600	5100	7.5	4 5/8	3 1/2	3/4	2 1/4	2 27/32	1	2 3/4	1 3/32	3/32	(4)-1/2	9/16
1 7/16	FYE 1 7/16	F4BE 107-SRB-SRE			7.2											
1 1/2	FYE 1 1/2	F4BE 108-SRB-SRE	16 600	5100	10.0	5 3/8	4 1/8	3/4	2 5/16	2 29/32	1	2 3/4	1 5/32	5/32	(4)-1/2	9/16
1 11/16	FYE 1 11/16	F4BE 111-SRB-SRE	17 300	4500	10.0	5 3/8	4 1/8	3/4	2 5/16	3 1/32	1	2 7/8	1 5/32	5/32	(4)-1/2	9/16
1 3/4	FYE 1 3/4	F4BE 112-SRB-SRE	17 300	4500	11.0											
1 15/16	FYE 1 15/16	F4BE 115-SRB-SRE	19 000	4100	11.0	5 1/2	4 3/8	3/4	2 1/4	2 31/32	1	2 7/8	1 3/32	3/32	(4)-1/2	9/16
2	FYE 2	F4BE 200-SRB-SRE	19 000	4100	11.0											
2 3/16	FYE 2 3/16	F4BE 203-SRB-SRE	22 400	3700	13.5	6 1/4	4 7/8	3/4	2 3/8	3 7/32	1 1/8	3 1/8	1 7/32	3/32	(4)-1/2	11/16
2 7/16	FYE 2 7/16	F4BE 207-SRB-SRE			17.3											
2 1/2	FYE 2 1/2	F4BE 208-SRB-SRE	33 300	3100	17.1	6 7/8	5 3/8	1	2 3/4	3 15/32	1 1/4	3 3/8	1 11/32	3/32	(4)-5/8	11/16
2 11/16	FYE 2 11/16	F4BE 211-SRB-SRE			28.5											
2 3/4	FYE 2 3/4	F4BE 212-SRB-SRE			28.3											
2 15/16	FYE 2 15/16	F4BE 215-SRB-SRE	35 500	2800	27.2	7 5/8	6	1 1/16	2 3/4	3 7/8	1 1/4	3 5/8	1 1/2	1/4	(4)-3/4	13/16
3	FYE 3	F4BE 300-SRB-SRE			27.0											
3 7/16	FYE 3 7/16	F4BE 307-SRB-SRE	56 900	2300	40.6	8 3/4	7	1 1/8	3 5/16	4 1/4	1 7/16	4 1/32	1 21/32	7/32	(4)-3/4	13/16
3 1/2	FYE 3 1/2	F4BE 308-SRB-SRE			40.1											
3 11/16	FYE 3 11/16	F4BE 311-SRB-SRE			64.1											
3 15/16	FYE 3 15/16	F4BE 315-SRB-SRE	69 900	2100	69.1	9 3/4	7 3/4	1 1/4	3 1/2	4 13/16	1 5/8	4 19/32	1 27/32	7/32	(4)-7/8	15/16
4	FYE 4	F4BE 400-SRB-SRE			68.1											
4 7/16	FYE 4 7/16	F4BE 407-SRB-SRE			63.0											
4 1/2	F4E 4 1/2	F4BE 408-SRB-SRE	91 700	1900	62.5	10 7/8	8 3/4	2 3/8	5 13/16	6.41	3.06	6.13	3.33	0.28	(4)-7/8	15/16

Roller bearing units

For shaft diameter tolerances see page 308; for bearing information see page 328; for other seal speed limits see page 312.



Flange / ConCentra™

F4BE

- Cast-iron housing
- 4-bolt
- Type E dimensions
- Self-aligning
- Locating or non-locating
- TriGard seal

How to order	F4BE 207-SRB-CRE
Option	Specify
TriGard seal	F4BE 207-SRB- CRE
Garter spring seal	F4BE 207-SRB- CGH
Labyrinth seal	F4BE 207-SRB- CLE
Locating unit	F4BE 207-SRB- CRH
Non-locating unit	F4BE 207-SRB- CRE

Shaft dia. d _a	Previous Designation	New Designation	Bearing basic load rating Dynamic C	TriGard speed limit	Mass	Bolt square				E	K	L	R	Y	Bolts (No. req'd)	Bolt Hole D _b
						A	B	C	D							
in			lbs	rpm	lbs	in									in	in
1 7/16	FYE 1 7/16 N	F4BE 107-SRB-CRE	22 100	4000	7.2	4 5/8	3 1/2	3/4	2 1/4	2.318	1.272	2.543	1 3/32	0.226	(4) 1/2"	9/16
1 1/2	FYE 1 1/2 N	F4BE 108-SRB-CRE	22 100	4000	10.0	5 3/8	4 1/8	3/4	2 5/16	2.380	1.272	2.543	1 5/32	0.163	(4) 1/2"	9/16
1 11/16	FYE 1 11/16 N	F4BE 111-SRB-CRE	23 400	3700	10.0											
1 3/4	FYE 1 3/4 N	F4BE 112-SRB-CRE	23 400	3700	11.0	5 1/2	4 3/8	3/4	2 1/4	2.318	1.272	2.543	1 3/32	0.226	(4) 1/2"	9/16
1 15/16	FYE 1 15/16 N	F4BE 115-SRB-CRE	24 000	3500	11.0											
2	FYE 2 N	F4BE 200-SRB-CRE	24 000	3500	11.0	6 1/4	4 7/8	3/4	2 3/8	2.484	1.292	2.583	1 7/32	0.099	(4) 5/8"	11/16
2 3/16	FYE 2 3/16 N	F4BE 203-SRB-CRE	24 000	3250	13.5											
2 7/16	FYE 2 7/16 N	F4BE 207-SRB-CRE	44 500	2900	17.3	6 7/8	5 3/8	1	2 3/4	2.726	1.410	2.819	1 11/32	0.093	(4) 5/8"	11/16
2 1/2	FYE 2 1/2 N	F4BE 208-SRB-CRE			17.1											
2 11/16	FYE 2 11/16 N	F4BE 211-SRB-CRE	48 800	2600	28.5	7 5/8	6	1 1/16	2 3/4	2.887	1.410	2.819	1 1/2	-0.068	(4) 3/4"	13/16
2 3/4	FYE 2 3/4 N	F4BE 212-SRB-CRE			28.3											
2 15/16	FYE 2 15/16 N	F4BE 215-SRB-CRE			27.2											
3	FYE 3 N	F4BE 300-SRB-CRE			27											
3 3/16	FYE 3 3/16 N	F4BE 303-SRB-CRE	74 400	2200	42.0	8 3/4	7	1 1/8	3 5/16	3.254	1.693	3.386	1 21/32	0.132	(4) 3/4"	13/16
3 7/16	FYE 3 7/16 N	F4BE 307-SRB-CRE			40.6											
3 1/2	FYE 3 1/2 N	F4BE 308-SRB-CRE			40.1											
3 11/16	FYE 3 11/16 N	F4BE 311-SRB-CRE	97 300	2000	64.1	9 3/4	7 3/4	1 1/4	3 1/2	3.560	1.742	3.484	1 27/32	-0.076	(4) 7/8"	15/16
3 15/16	FYE 3 15/16 N	F4BE 315-SRB-CRE			69.1											
4	FYE 4 N	F4BE 400-SRB-CRE			68.1											
4 7/16	FYE 4 7/16 N	F4BE 407-SRB-CRE	128 500	1660	52.6	10 7/8	8 3/4	2 3/8	5 3/16	4.817	1.940	3.898	3.330	-0.919	(4) 7/8"	15/16
4 1/2	FYE 4 1/2 N	F4BE 408-SRB-CRE			56.0											

Roller bearing units

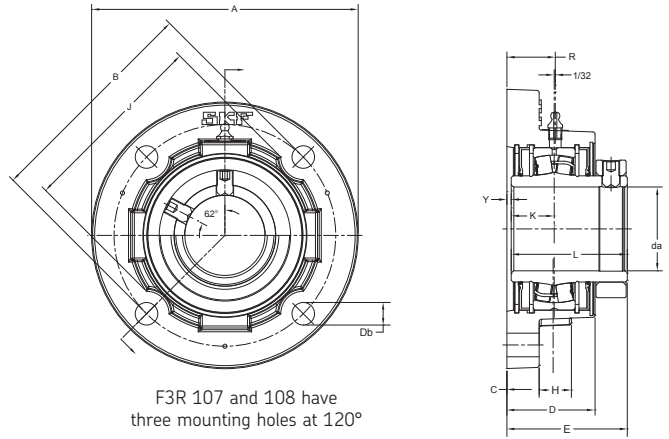
For shaft diameter tolerances see page 309; for bearing information see page 329; for other seal speed limits see page 313.

Flange (round) / set screw

F3BR/F4BR

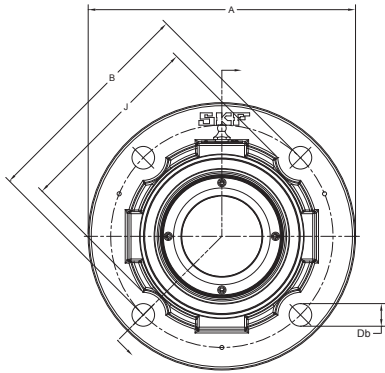
- Cast-iron housing
- 3-bolt or 4-bolt
- Self-aligning
- Locating or non-locating
- TriGard seal

How to order	F4BR 207-SRB-SRE
Option	Specify
TriGard seal	F4BR 207-SRB-SRE
Garter spring seal	F4BR 207-SRB-SGH
Labyrinth seal	F4BR 207-SRB-SLE
Locating unit	F4BR 207-SRB-SRH
Non-locating unit	F4BR 207-SRB-SRE

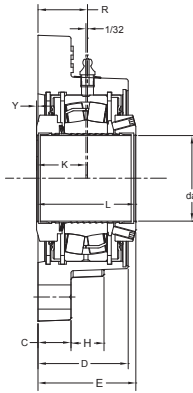


Shaft dia. d _a	Previous Designation	New Designation	Bearing basic load rating Dynamic C	TriGard speed limit rpm	Mass lbs	Bolt square										Bolts (No. req'd)	Bolt Hole D _b	
						A	B	C	D	E	H	J	K	L	R			Y
in			lbs		lbs	in											in	in
1 7/16	FYR 1 7/16	F3BR 107-SRB-SRE	16 600	5100	8.5	6 1/4	5	3/4	2 1/16	2 7/8	3/4	3 7/8	1	2 3/4	1 3/32	1/8	(3)-1/2	9/16
1 1/2	FYR 1 1/2	F3BR 108-SRB-SRE																
1 11/16	FYR 1 11/16	F4BR 111-SRB-SRE	17 300	4500	10.5	6 3/4	5 1/2	3/4	2 1/4	3	13/16	4 1/2	1	2 7/8	1 3/32	1/8	(4)-1/2	9/16
1 3/4	FYR 1 3/4	F4BR 112-SRB-SRE																
1 15/16	FYR 1 15/16	F4BR 115-SRB-SRE	19 000	4100	11.0	7	5 3/4	3/4	2 1/4	3	13/16	4 3/4	1	2 7/8	1 3/32	1/8	(4)-1/2	9/16
2	FYR 2	F4BR 200-SRB-SRE																
2 3/16	FYR 2 3/16	F4BR 203-SRB-SRE	22 400	3700	13.5	7 3/4	6 3/8	3/4	2 3/8	3 1/4	15/16	5 1/8	1 1/8	3 1/8	1 7/32	1/8	(4)-5/8	11/16
2 7/16	FYR 2 7/16	F4BR 207-SRB-SRE																
2 1/2	FYR 2 1/2	F4BR 208-SRB-SRE	33 300	3100	17.5	8 1/8	6 3/4	1 5/16	2 9/16	3 1/2	15/16	5 3/4	1 1/4	3 3/8	1 11/32	1/8	(4)-5/8	11/16
2 11/16	FYR 2 11/16	F4BR 211-SRB-SRE																
2 3/4	FYR 2 3/4	F4BR 212-SRB-SRE	35 500	2800	27.0	9 1/2	7 7/8	1 5/16	2 7/8	3 7/8	13/16	6 5/8	1 1/4	3 5/8	1 15/32	1/4	(4)-3/4	13/16
2 15/16	FYR 2 15/16	F4BR 215-SRB-SRE																
3	FYR 3	F4BR 300-SRB-SRE	26.0															
3 7/16	FYR 3 7/16	F4BR 307-SRB-SRE	56 900	2300	38.0	11 1/8	9 1/2	1 1/8	3 1/16	4 9/32	13/16	7 5/8	1 7/16	4 1/32	1 21/32	1/4	(4)-3/4	13/16
3 1/2	FYR 3 1/2	F4BR 308-SRB-SRE																
3 11/16	FYR 3 11/16	F4BR 311-SRB-SRE	69 900	2100	53.0	12 5/8	10 3/4	1 1/8	3 1/2	4 27/32	17/16	8 3/8	1 5/8	4 19/32	1 27/32	1/4	(4)-7/8	15/16
3 15/16	FYR 3 15/16	F4BR 315-SRB-SRE																
4	FYR 4	F4BR 400-SRB-SRE	52.0															

For shaft diameter tolerances see page 308; for bearing information see page 328; for other seal speed limits see page 312.



F3R 107 thru 108 N have three mounting holes at 120°



Flange (round) / ConCentra™

F3BR/F4BR

- Cast-iron housing
- 3-bolt or 4-bolt
- Self-aligning
- Locating or non-locating
- TriGard seal

How to order	F4BR 207-SRB-CRE
Option	Specify
TriGard seal	F4BR 207-SRB-CRE
Garter spring seal	F4BR 207-SRB-CGH
Labyrinth seal	F4BR 207-SRB-CLE
Locating unit	F4BR 207-SRB-CRH
Non-locating unit	F4BR 207-SRB-CRE

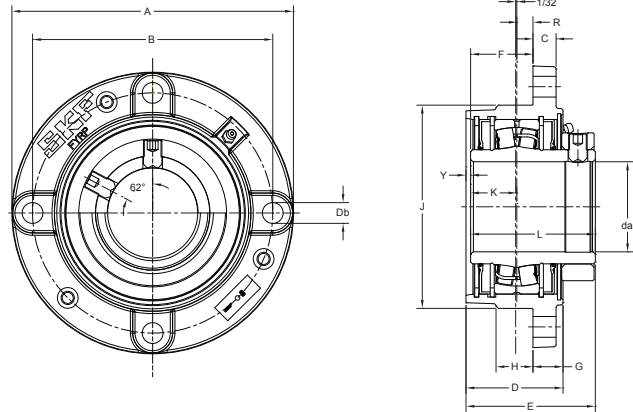
Shaft dia. d _a	Previous Designation	New Designation	Bearing basic load rating Dynamic C	TriGard speed limit	Mass	Bolt square										Bolts (No. req'd)	Bolt Hole D _b	
						A	B	C	D	E	H	J	K	L	R			Y
in			lbs	rpm	lbs	in											in	in
1 7/16	FYR 1 7/16 N	F3BR 107-SRB-CRE	22100	4000	8.5	6 1/4	5	3/4	2 1/16	2.328	3/4	3 7/8	1.272	2.543	1 3/32	0.188	(3) 1/2	9/16
1 1/2	FYR 1 1/2 N	F3BR 108-SRB-CRE			8.4													
1 11/16	FYR 1 11/16 N	F4BR 111-SRB-CRE	23400	3700	10.5	6 3/4	5 1/2	3/4	2 1/4	2.359	13/16	4 1/2	1.272	2.543	1 3/32	0.156	(4) 1/2	9/16
1 3/4	FYR 1 3/4 N	F4BR 112-SRB-CRE			10.0													
1 15/16	FYR 1 15/16 N	F4BR 115-SRB-CRE	24000	3500	11.0	7	5 3/4	3/4	2 1/4	2.359	13/16	4 3/4	1.272	2.543	1 3/32	0.156	(4) 1/2	9/16
2	FYR 2 N	F4BR 200-SRB-CRE			10.5													
2 3/16	FYR 2 3/16 N	F4BR 203-SRB-CRE	29000	3250	13.5	7 3/4	6 3/8	3/4	2 3/8	2.516	15/16	5 1/8	1.292	2.583	1 7/32	0.310	(4) 5/8	11/16
2 7/16	FYR 2 7/16 N	F4BR 207-SRB-CRE	44500	2900	17.5	8 1/8	6 3/4	15/16	2 9/16	2.750	15/16	5 3/4	1.410	2.819	1 11/32	0.047	(4) 5/8	11/16
2 1/2	FYR 2 1/2 N	F4BR 208-SRB-CRE			17.2													
2 11/16	FYR 2 11/16 N	F4BR 211-SRB-CRE	48800	2600	27.0	9 1/2	7 7/8	15/16	2 7/8	2.891	1 3/16	6 5/8	1.410	2.819	1 15/32	-0.094	(4) 3/4	13/16
3	FYR 3 N	F4BR 300-SRB-CRE			26.0													
3 3/16	FYR 3 3/16 N	F4BR 303-SRB-CRE	74400	2200	38.0	11 1/8	9 1/2	1 1/8	3 1/16	3.281	1 3/16	7 5/8	1.693	3.386	1 21/32	0.250	(4) 3/4	13/16
3 1/2	FYR 3 1/2 N	F4BR 308-SRB-CRE			37.2													
3 11/16	FYR 3 11/16 N	F4BR 311-SRB-CRE	97300	2000	53.0	12 5/8	10 3/4	1 1/8	3 1/2	3.594	1 7/16	8 3/8	1.742	3.484	1 27/32	-0.141	(4) 7/8	15/16
4	FYR 4 N	F4BR 400-SRB-CRE			52.0													

For shaft diameter tolerances see page 309; for bearing information see page 329; for other seal speed limits see page 313.

Piloted flange / set screw

F4BRP/F6BRP

Cast-iron housing
 4- or 6- bolt base
 Self-aligning
 Locating or non-locating
 TriGard seal



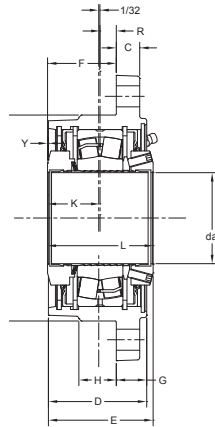
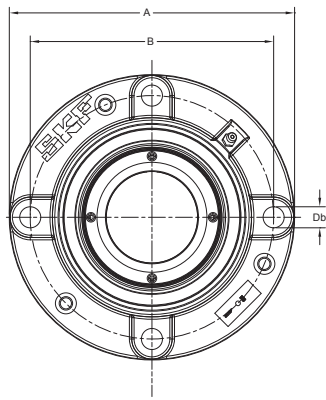
How to order	F4BRP 207-SRB-SRE
Option	Specify

TriGard seal	F4BRP 207-SRB-SRE
Garter spring seal	F4BRP 207-SRB-SGH
Labyrinth seal	F4BRP 207-SRB-SLE
Locating unit	F4BRP 207-SRB-SRH
Non-locating unit	F4BRP 207-SRB-SRE

Shaft dia. d _a	Previous Designation	New Designation	Bearing basic load rating Dynamic C	TriGard Mass speed limit	Bolt square										Bolts (No. req'd)	Bolt Hole D _b				
					A	B	C	D	E	F	G	H	J*	K			L	R	Y	
in			lbs	rpm	lbs	in												in	in	
1 7/16	FYRP 1 7/16	F4BRP 107-SRB-SRE	16 600	5100	6.3	5 1/4	4 3/8	1/2	2 1/4	2 57/64	1 25/64	23/32	3/4	3.625	1	2 3/4	27/64	9/64	(4)-3/8	13/32
1 1/2	FYRP 1 1/2	F4BRP 108-SRB-SRE			6.3															
1 11/16	FYRP 1 11/16	F4BRP 111-SRB-SRE	17 300	4500	7.8	6 1/8	5 1/8	1/2	2 1/2	3 5/32	1 19/32	5/8	7/8	4.250	1	2 7/8	5/8	9/32	(4)-7/16	15/32
1 3/4	FYRP 1 3/4	F4BRP 112-SRB-SRE			7.7															
1 15/16	FYRP 1 15/16	F4BRP 115-SRB-SRE	19 000	4100	11.0	6 3/8	5 3/8	9/16	2 1/2	3 5/32	1 19/32	5/8	7/8	4.500	1	2 7/8	5/8	9/32	(4)-7/16	1/2
2	FYRP 2	F4BRP 200-SRB-SRE			11.0															
2 3/16	FYRP 2 3/16	F4BRP 203-SRB-SRE	22 400	3700	9.9	7 1/8	6	9/16	2 9/16	3 5/16	1 21/32	23/32	1	5.000	1 1/8	3 1/8	9/16	3/16	(4)-1/2	9/16
2 7/16	FYRP 2 7/16	F4BRP 207-SRB-SRE	33 300	3100	14.0	7 5/8	6 1/2	5/8	2 5/8	3 1/2	1 11/16	13/16	1	5.500	1 1/4	3 3/8	15/32	1/8	(4)-1/2	17/32
2 1/2	FYRP 2 1/2	F4BRP 208-SRB-SRE			13.5															
2 11/16	FYRP 2 11/16	F4BRP 211-SRB-SRE			20.5															
2 3/4	FYRP 2 3/4	F4BRP 212-SRB-SRE	35 500	2800	20.5	8 3/4	7 1/2	11/16	3 1/8	3 29/32	2 1/32	13/16	1 1/4	6.375	1 1/4	3 5/8	13/16	9/32	(4)-5/8	21/32
2 15/16	FYRP 2 15/16	F4BRP 215-SRB-SRE			19.5															
3	FYRP 3	F4BRP 300-SRB-SRE			19.5															
3 7/16	FYRP 3 7/16	F4BRP 307-SRB-SRE	56 900	2300	29.5	10 1/4	8 5/8	7/8	3 3/16	4 7/32	1 15/16	11/16	1 1/4	7.375	1 7/16	4 1/32	17/32	3/16	(4)-3/4	25/32
3 1/2	FYRP 3 1/2	F4BRP 308-SRB-SRE			29.0															
3 11/16	FYRP 3 11/16	F4BRP 311-SRB-SRE			41.0															
3 15/16	FYRP 3 15/16	F4BRP 315-SRB-SRE	69 900	2100	40.0	10 7/8	9 3/8	7/8	3 5/8	4 13/16	2 13/32	1	2	8.125	1 5/8	4 19/32	13/16	7/32	(4)-3/4	25/32
4	FYRP 4	F4BRP 400-SRB-SRE			40.0															
4 7/16	FYRP 4 7/16	F6BRP 407-SRB-SRE	91 700	1900	68.0	13 1/2	11 3/4	1	3 11/16	4 15/16	3 3/16	1 11/16	1 15/32	10.250	3 1/16	6 1/8	9/64	13/16	(6)-3/4	13/16
4 15/16	FYRP 4 15/16	F6BRP 415-SRB-SRE	123 000	1650	94.0	14 3/4	12 3/4	1 1/4	4 5/16	5 19/32	3 21/32	1 11/16	2 1/4	11.000	3 5/16	6 5/8	11/32	11/32	(6)-7/8	29/32

For shaft diameter tolerances see page 308; for bearing information see page 328; for other seal speed limits see page 311.

*O.D. tolerance of the F4BRP and F6BRP unit pilot diameter (J) dimension is 0.000 in. to -0.002 in.



Piloted flange / ConCentra™

F4BRP/F6BRP

- Cast-iron housing
- 4- or 6- bolt base
- Self-aligning
- Locating or non-locating
- TriGard seal

How to order	F4BRP 207-SRB-CRE
Option	Specify
TriGard seal	F4BRP 207-SRB- CRE
Garter spring seal	F4BRP 207-SRB- CGH
Labyrinth seal	F4BRP 207-SRB- CLE
Locating unit	F4BRP 207-SRB- CRH
Non-locating unit	F4BRP 207-SRB- CRE

Shaft dia. d _a	Previous Designation	New Designation	Bearing basic load rating Dynamic C	TriGard Mass speed limit rpm	Mass lbs	Bolt square						J *	K	L	R	Y	Bolts (No. req'd)	Bolt Hole D _b		
						A	B	C	D	E	F								G	H
in			lbs	rpm	lbs	in												in		
1 7/16	FYR 1 7/16 N	F4BRP 107-SRB-CRE	22100	4000	6.3	5 1/4	4 3/8	1/2	2 1/4	2.391	1.650	3/32	3/4	3 5/8	1.272	2.543	27/64	0.156	(4) 3/8	13/32
1 1/2	FYR 1 1/2 N	F4BRP 108-SRB-CRE			6.3															
1 11/16	FYR 1 11/16 N	F4BRP 111-SRB-CRE	23400	3700	7.8	6 1/8	5 1/8	1/2	2 1/2	2.516	1.875	5/8	7/8	4 1/4	1.272	2.543	5/8	0.031	(4) 7/16	15/32
1 3/4	FYR 1 3/4 N	F4BRP 112-SRB-CRE			7.7															
1 15/16	FYR 1 15/16 N	F4BRP 115-SRB-CRE	24000	3500	8.2	6 3/8	5 3/8	9/16	2 1/2	2.578	1.906	5/8	7/8	4 1/2	1.272	2.543	5/8	0.031	(4) 7/16	1/2
2	FYR 2 N	F4BRP 200-SRB-CRE			8.1															
2 3/16	FYR 2 3/16 N	F4BRP 203-SRB-CRE	29000	3250	9.9	7 1/8	6	9/16	2 9/16	2.578	1.813	23/32	1	5	1.292	2.583	9/16	-0.031	(4) 1/2	9/16
2 7/16	FYR 2 7/16 N	F4BRP 207-SRB-CRE	44500	2900	14.0	7 5/8	6 1/2	5/8	2 5/8	2.798	1.828	13/16	1	5 1/2	1.410	2.819	15/32	0.016	(4) 1/2	17/32
2 1/2	FYR 2 1/2 N	F4BRP 208-SRB-CRE			13.5															
2 11/16	FYR 2 11/16 N	F4BRP 211-SRB-CRE	48800	2600	20.5	8 3/4	7 1/2	11/16	3 29/32	2.938	2.188	13/16	1 1/4	6 3/8	1.410	2.819	13/16	-0.125	(4) 5/8	21/32
3	FYR 3 N	F4BRP 300-SRB-CRE			19.5															
3 3/16	FYR 3 3/16 N	F4BRP 303-SRB-CRE	74400	2200	29.5	10 1/4	8 5/8	7/8	3 3/16	3.219	2.250	1 1/16	1 1/4	7 3/8	1.693	3.386	17/32	0.156	(4) 3/4	25/32
3 1/2	FYR 3 1/2 N	F4BRP 308-SRB-CRE			28.0															
3 11/16	FYR 3 11/16 N	F4BRP 311-SRB-CRE	97300	2000	41.0	10 7/8	9 3/8	7/8	3 5/8	3.671	2.516	1	2	8 1/8	1.742	3.484	13/16	-0.109	(4) 3/4	25/32
4	FYR 4 N	F4BRP 400-SRB-CRE			39.0															
4 7/16	FYRP 4 7/16 N	F6BRP 407-SRB-CRE	128600	2000	67.0	13 1/2	11 3/4	1	3 11/16	3.74	2.158	1 11/16	1 15/32	10 1/4	1.949	3.898	9/64	0.158	(6) 3/4	13/16
4 1/2	FYRP 4 1/2 N	F6BRP 408-SRB-CRE			66.0															
4 15/16	FYRP 4 15/16 N	F6BRP 415-SRB-CRE	170400	1800	93.0	14 3/4	12 3/4	1 1/4	4 5/16	4.542	2.689	1 11/16	2 1/4	11	2.303	4.606	9/64	0.064	(6) 7/8	13/16
5	FYRP 5 N	F6BRP 500-SRB-CRE			92.0															

Roller bearing units

For shaft diameter tolerances see page 309; for bearing information see page 329; for other seal speed limits see page 312.

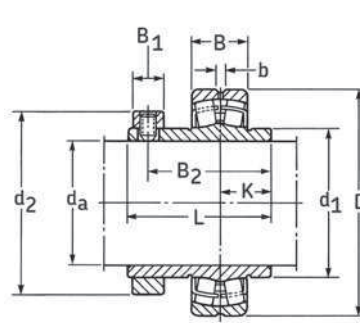
*O.D. tolerance of the F4BRP and F6BRP unit pilot diameter (J) dimension is 0.000 in. to -0.002 in.

Insert bearings / Set screw-mounted
4762(00) and 4762(00) B/VSB series

Radial internal clearance

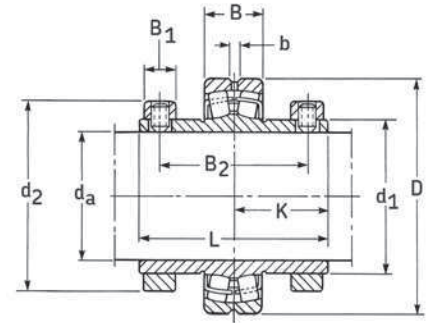
SKF unit roller insert bearings are produced as standard with radial internal clearance within the limits shown in the table below

Shaft sizes in	Internal clearance in	
	min – max	min – max
1 7/16 – 1 1/2	.0010 – .0020	.025 – .050
1 11/16 – 2	.0012 – .0022	.030 – .055
2 3/16 – 2 1/2	.0014 – .0026	.035 – .065
2 11/16 – 3	.0018 – .0031	.045 – .080
3 7/16 – 4	.0024 – .0039	.060 – .100
4 7/16 – 4 1/2	.0028 – .0047	.070 – .120
4 15/16	.0035 – .0057	.090 – .145



Series 4762B

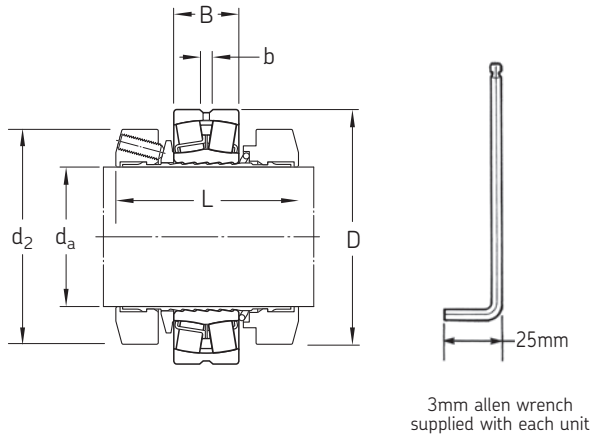
Shaft sizes
1 7/16 thru 4



Series 4762B-VSB

Shaft sizes
4 7/16 thru 4 15/16

Shaft dia. d _a	Designation	Bearing basic load rating			Set screw size	Mass	Calculation factors											
		D	B	L			dynamic C	Static C ₀	b	B ₁	B ₂	d ₁	K	d ₂	e	Y ₁	Y ₂	Y ₀
1 7/16	476208-107 C	80	23	2 3/4	16 600	18 300	.219	5/8	2 3/8	1.908	1	2 3/8	3/8-24 x 1/2	2.50	0.28	2.4	3.6	2.5
1 1/2	476208-108 C													2.45				
1 11/16	476209-111 C	85	23	2 7/8	17 300	19 800	.219	5/8	2 3/8	2.157	1	2 5/8	3/8-24 x 1/2	2.75	0.26	2.6	3.9	2.5
1 3/4	476209-112 C													2.70				
1 15/16	476210-115 C	90	23	2 7/8	19 000	22 500	.219	5/8	2 15/32	2.357	1	2 7/8	3/8-24 x 1/2	2.90	0.24	2.8	4.2	2.8
2	476210-200 C													2.80				
2 3/16	476211-203 C	100	25	3 1/8	22 400	26 500	.219	3/4	2 23/32	2.600	11/8	3 1/4	3/8-24 x 1/2	3.90	0.24	2.8	4.2	2.8
2 7/16	476213-207 C	120	31	3 3/8	33 300	41 100	.219	7/8	2 15/16	3.088	11/4	4	1/2-20 x 3/4	6.75	0.24	2.8	4.2	2.8
2 1/2	476213-208 C													6.75				
2 11/16	476215-211 C													9.35				
3 3/4	476215-212 C	130	31	3 5/8	35 500	46 800	.219	7/8	3 1/16	3.491	11/4	4 1/2	1/2-20 x 7/8	9.35	0.22	3	4.6	2.8
2 15/16	476215-215 C													9.35				
3	476215-300 C													9.35				
3 7/16	476218-307 C	160	40	4 1/32	56 900	76 400	.219	7/8	3 15/32	4.224	1 7/16	5 1/8	1/2-20 x 7/8	13.5	0.23	2.9	4.4	2.8
3 1/2	476218-308 C													13.5				
3 11/16	476220-311 C													19.5				
3 15/16	476220-315 C	180	46	4 19/32	69 900	93 300	.328	1	3 15/16	4.650	1 5/8	6	5/8-18 x 1	19.5	0.24	2.8	4.2	2.8
4	476220-400 C													19.5				
4 7/16	476222B-407 B/VSB	200	53	6 1/8	91 700	126 000	.328	1	5 1/8	5.029	3 1/16	6 1/8	5/8-18 x 7/8	29.5	0.25	2.7	4	2.5
4 1/2	476222B-408 B/VSB													29.5				
4 15/16	476226B-415 B/VSB	230	64	6 5/8	123 000	180 000	.438	1	5 5/8	5.819	3 5/16	6 7/8	5/8-18 x 7/8	46.5	0.26	2.6	3.9	2.5



Radial internal clearance

SKF unit roller insert bearings are produced as standard with radial internal clearance within the limits shown in the table below

Shaft sizes in	Internal clearance		
	in min - max	µm min - max	mm min - max
1 ⁷ / ₁₆ - 1 ¹ / ₂	.0020 - .0026	50 - 65	.050 - .065
1 ¹¹ / ₁₆ - 2	.0024 - .0031	60 - 80	.060 - .080
2 ³ / ₁₆ - 2 ¹ / ₂	.0030 - .0037	75 - 95	.075 - .095
2 ¹¹ / ₁₆ - 3	.0037 - .0047	95 - 120	.095 - .120
3 ⁷ / ₁₆ - 4	.0043 - .0055	110 - 140	.110 - .140

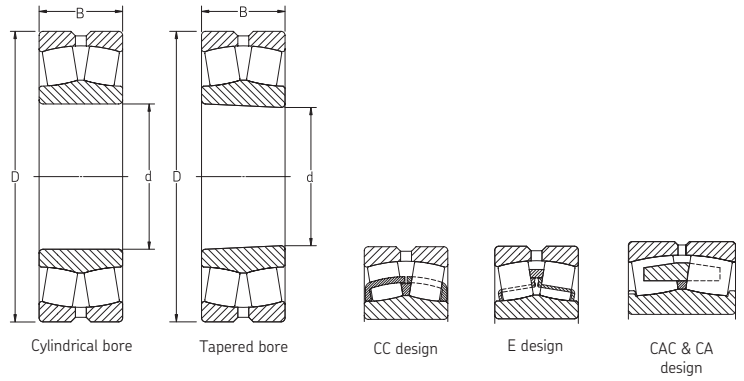
Shaft dia. d _a	Designation	Bearing basic load rating			Mass	No. mounting screws (M6X1)	Calculation factors								
		D	B	L			dynamic C	Static C ₀	b	d ₂	B ₁	e	Y ₁	Y ₂	Y ₀
in (mm)		mm	mm	in	lb		in	mm	in	lb	qty				
1 ⁷ / ₁₆	ABSY 475208-107									1.85	3				
1 ¹ / ₂	ABSY 475208-108	80	23	2 11/32	22 900	22 000	.219	66	2 1/8	1.85	3	0.28	2.4	3.6	2.5
1 11/16	ABSY 475209-111									2.42	3				
1 3/4	ABSY 475209-112	85	23	2 11/32	20 200	19 800	.219	71	2 1/8	2.42	3	0.26	2.6	3.9	2.5
1 15/16	ABSY 475210-115									2.42	3				
2	ABSY 475210-200	90	23	2 11/32	21 700	22 500	.219	76	2 1/8	2.42	3	0.24	2.8	4.2	2.8
2 3/16	ABSY 475211-203	100	25	2 11/32	30 100	30 800	.219	81	2 7/32	2.98	3	0.24	2.8	4.2	2.8
2 7/16	ABSY 475213-207									4.85	4				
2 1/2	ABSY 475213-208	120	31	2 37/64	43 400	41 100	.219	91	2 29/64	4.85	4	0.24	2.8	4.2	2.8
2 11/16	ABSY 475215-211									5.29	4				
2 3/4	ABSY 475215-212									5.29	4				
2 15/16	ABSY 475215-215	130	31	2 37/64	47 700	54 000	.219	101	2 29/64	5.29	5	0.22	3	4.6	2.8
3	ABSY 475215-300									5.29	4				
3 7/16	ABSY 475218-307	160	40	3 9/64	65 200	76 400	.219	120	2 53/64	10.88	7	0.23	2.9	4.4	2.8
3 1/2	ABSY 475218-308									10.88	7				
3 11/16	ABSY 475220-311									15.95	7				
3 15/16	ABSY 475220-315	180	46	3 25/64	81 000	93 300	.328	130	3 1/16	15.95	7	0.24	2.8	4.2	2.8
4	ABSY 475220-400									15.95	7				

SKF Explorer

Series: 22218 E – 22226 E*

Size: 90 mm – 130 mm

3.5433 in – 5.1181 in



Designation	Principal dimensions						Basic load ratings				Speed rating		Mass		Calculation factors		
	Bore d		Outside diameter D		Width B		Dynamic C		Static C ₀		Reference speed	Limiting speed	kg	lb	e	Y ₁	Y ₂
	mm	in	mm	in	mm	in	N	lbf	N	lbf	r/min	r/min					
22218 E	90	3.5433	160	6.2992	40	1.5748	331 000	74 400	375 000	84 300	3 800	5 300	3.40	7.50	0.24	2.8	4.2
22220 E	100	3.9370	180	7.0866	46	1.8110	433 000	97 300	490 000	110 100	3 400	4 500	4.90	10.80	0.24	2.8	4.2
22222 E	110	4.3307	200	7.8740	53	2.0866	572 000	128 500	640 000	143 800	3 000	4 000	7.00	15.44	0.25	2.7	4.0
22226 E	130	5.1181	230	9.0551	64	2.5197	758 000	170 300	930 000	209 000	2 600	3 600	11.00	24.26	0.27	2.5	3.7

*Compatible dimensions.

skfusa.com

© SKF is a registered trademark of the SKF Group.

© SKF USA Inc. 2019

The contents of this publication are the copyright of the publisher and may not be reproduced (even extracts) unless prior written permission is granted. Every care has been taken to ensure the accuracy of the information contained in this publication but no liability can be accepted for any loss or damage whether direct, indirect or consequential arising out of the use of the information contained herein.

PUB 670-722 · March 2020 · 19013-Id12B